

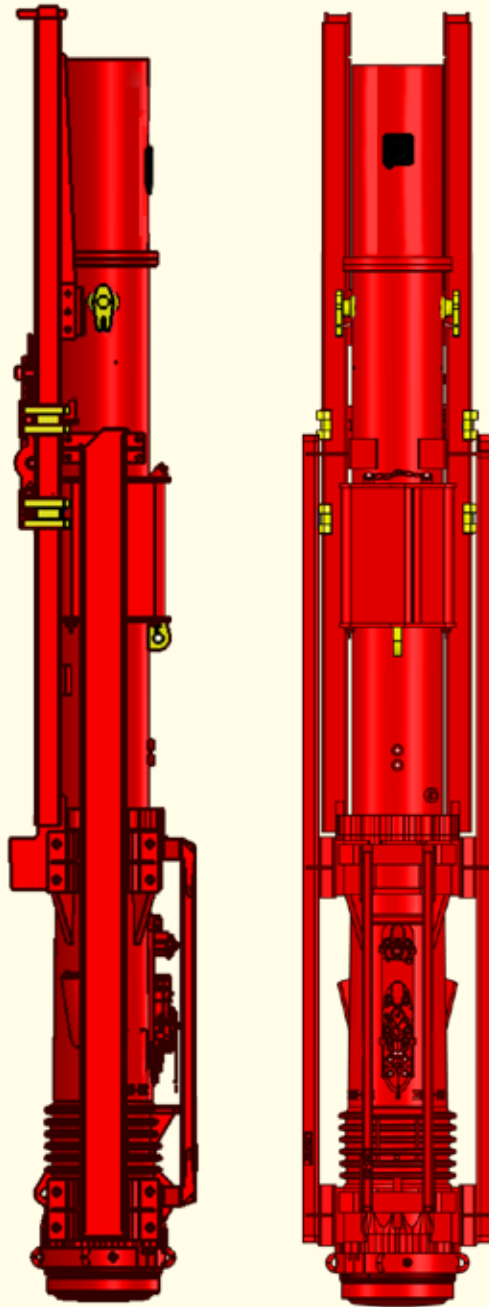


PILECO INC.

Diesel Pile Hammer **D30-32**

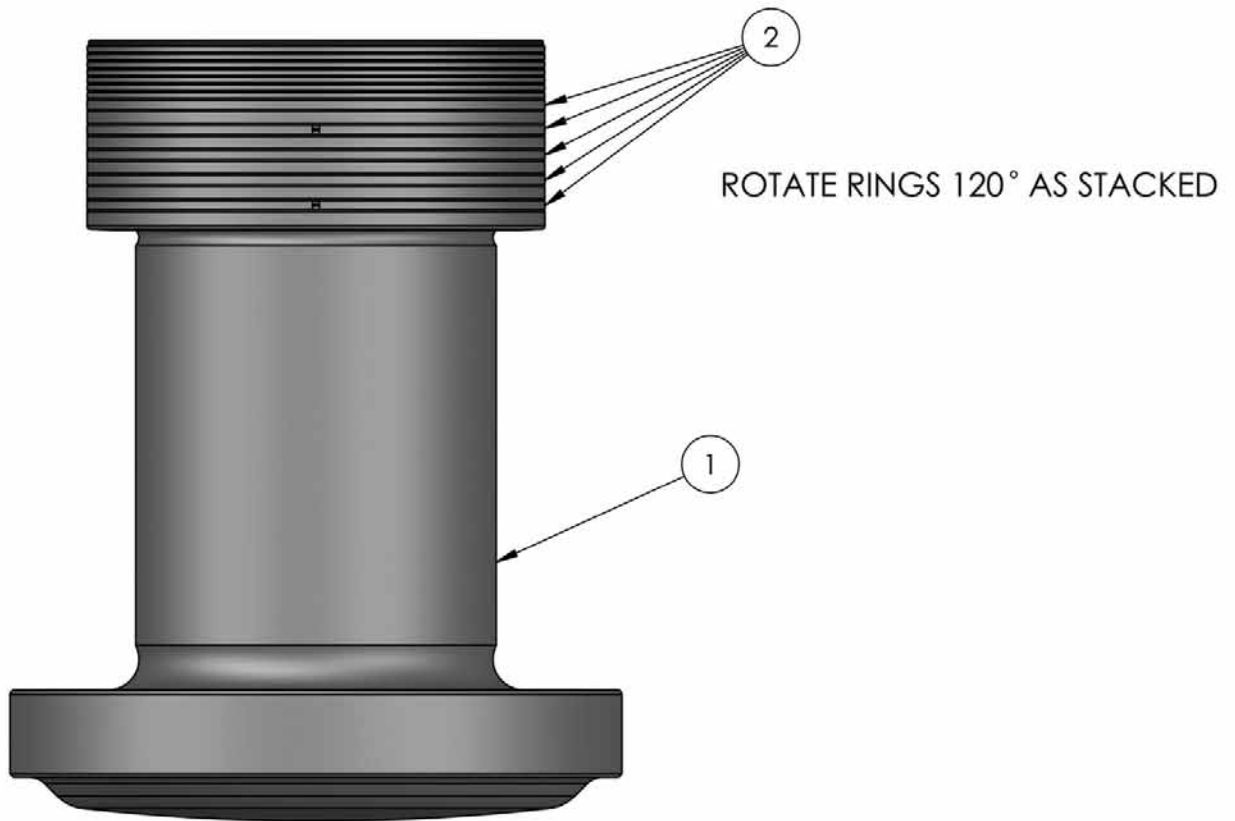
Parts Manual

Parts Manual



Index Page

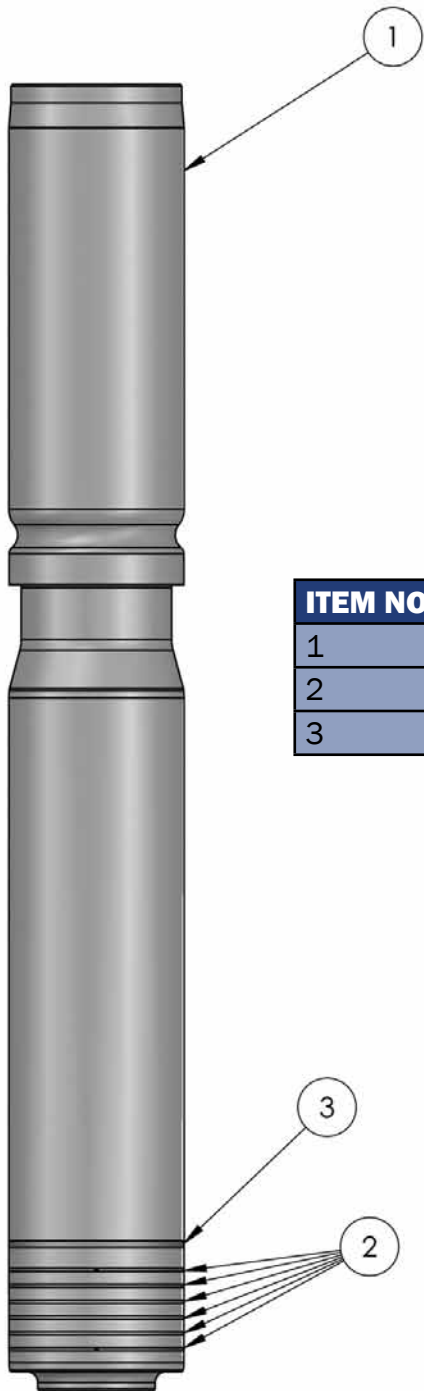
Impact Block	page #3
Striking Weight Piston	page #4
Lower Cylinder Complete	page #5
Lube Pump	page #6-8
Cylinder Complete	page #9
Pressure Valve	page #10
Piston Complete	page #11
Variable Delivery Fuel Pump	page #12-17
Pump Element 22mm	page #18
Stop Valve Complete	page #19
Suction Valve Complete	page #20
Check Non Return Valve	page #21
Hydraulic Variable Delivery Fuel Pump	page #22-24
Fuel Pump Control	page #25
Pigtail Installment	page #26
Hydraulic Hand Pump	page #27-28
Manifold Complete	page #29
Hand Pump 1/4" Hose assembly	page #30
Fuel Injection Device	page #31-33
Fuel Injection System	page #34-35
Hydraulic Cylinder Complete and Assembly	page #36-37
Guiding Assembly Hardware Kit	page #38
U-32 X 8 LEAD GUIDING Assembly	page #39
U-42 X 8 LEAD GUIDING Assembly	page #40
D25/30 Hp Beam Guide Clip	page #41
8" Guide Ext for Helmet	page #42
Pump Guard	page #43
Block Stand	page #44

**Impact Block
Complete**


**each part number links to web site part*

ITEM NO.	PART NUMBER	DESCRIPTION	QTY.
1	120039	IMPACT BLOCK	1
2	21779	PISTON RING	5

Striking Weight (Piston) Complete

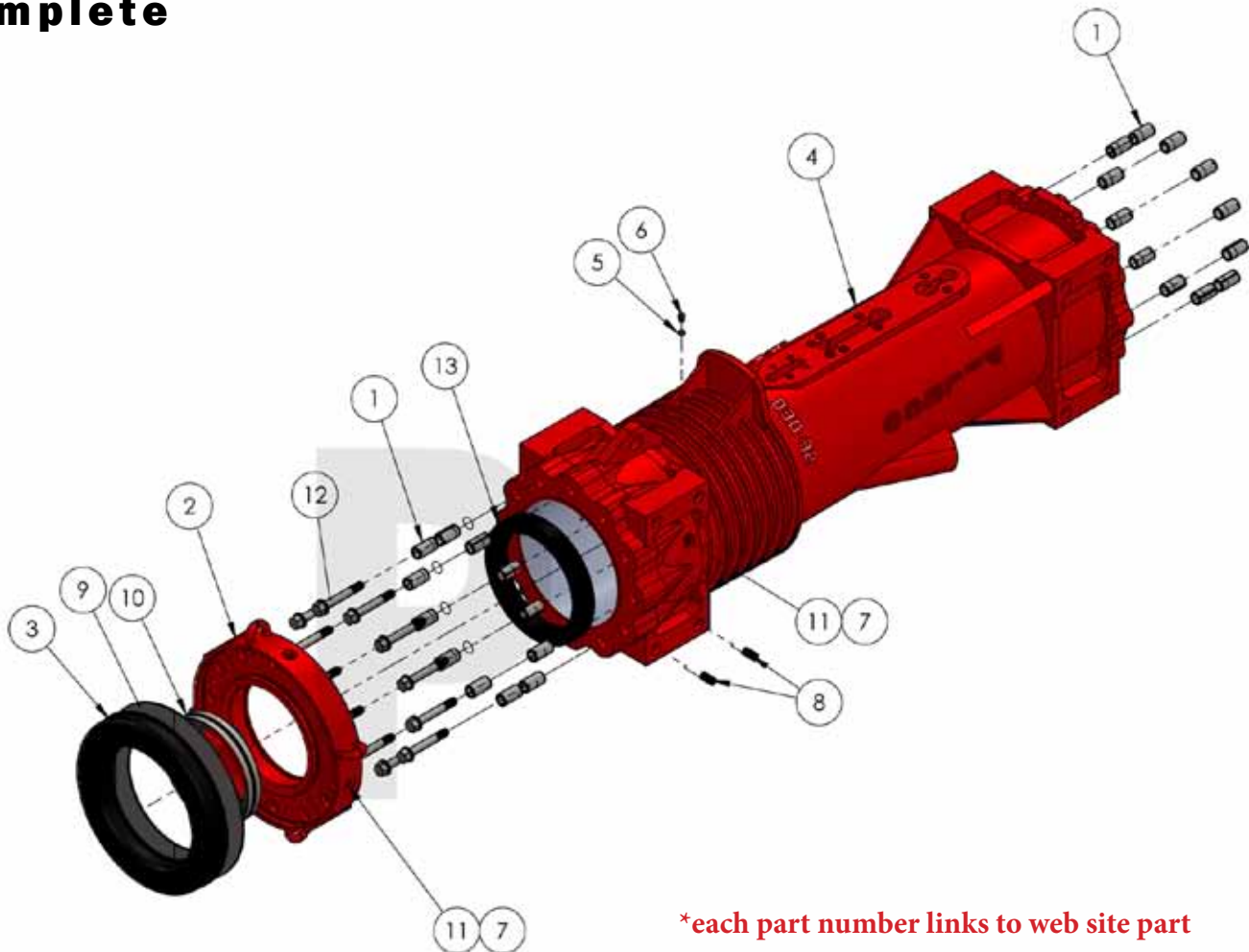


*each part number links to web site part

ITEM NO.	PART NUMBER	DESCRIPTION	QTY.
1	120041	STRIKING WEIGHT(PISTON)	1
2	21779	PISTON RING	6
3	21778	CATCH PISTON RING	1

ROTATE RINGS 120° AS STACKED

Lower Cylinder Complete

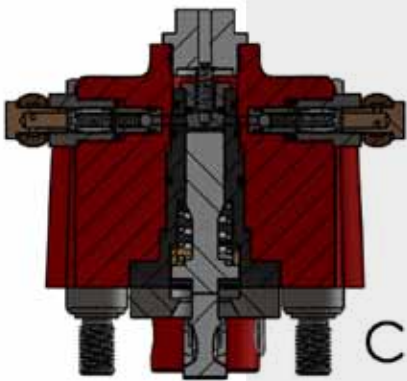


*each part number links to web site part

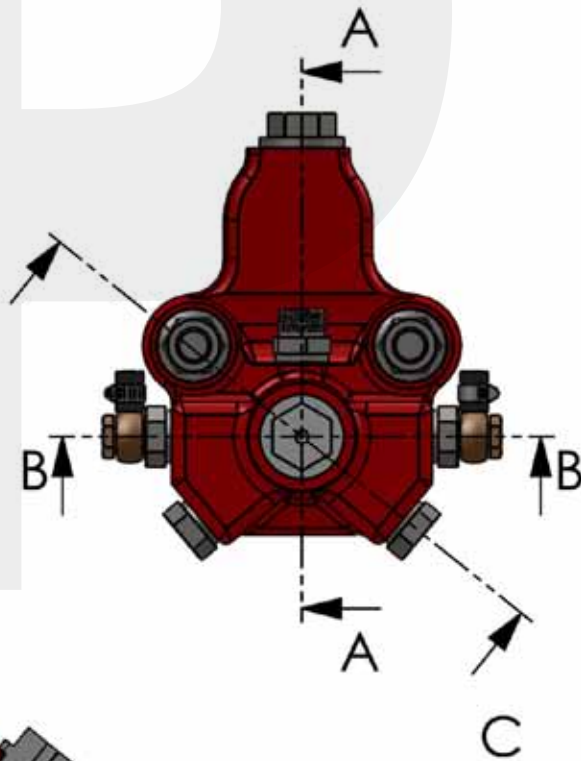
ITEM NO.	PART NUMBER	DESCRIPTION	QTY.
1	95195	40 X 75 DOWEL PIN	24
2	22564	OUTER ENDRING	1
3	22565	RUBBER RING D30/D25	1
4	108784	D30 LOWER CYLINDER PART	1
5	90002	SEALING RING A 18 X 22 DIN 7603-CU	1
6	91460	M18 X 1.5 DIN 910 HEX PLUG	1
7	22592	REDUCER	8
8	95582	THREADED INSERT M24	16
9	204006	RUBBER RING SPACER (2PCS)	1
10	46489	INNER END RING	1
11	90791	GREASE NIPPLE M10 X 1	8
12	20174	M24 X 165 HEX BOLT	12
13	60151	INNER DAMP RING	1



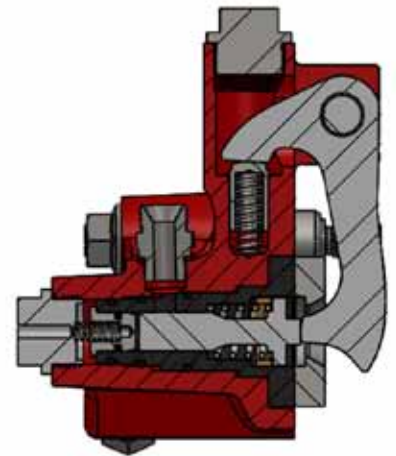
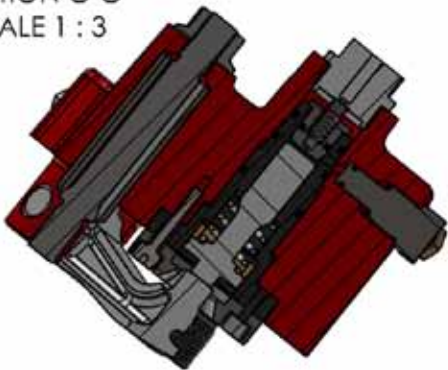
Lube Pump



SECTION B-B
SCALE 1 : 3

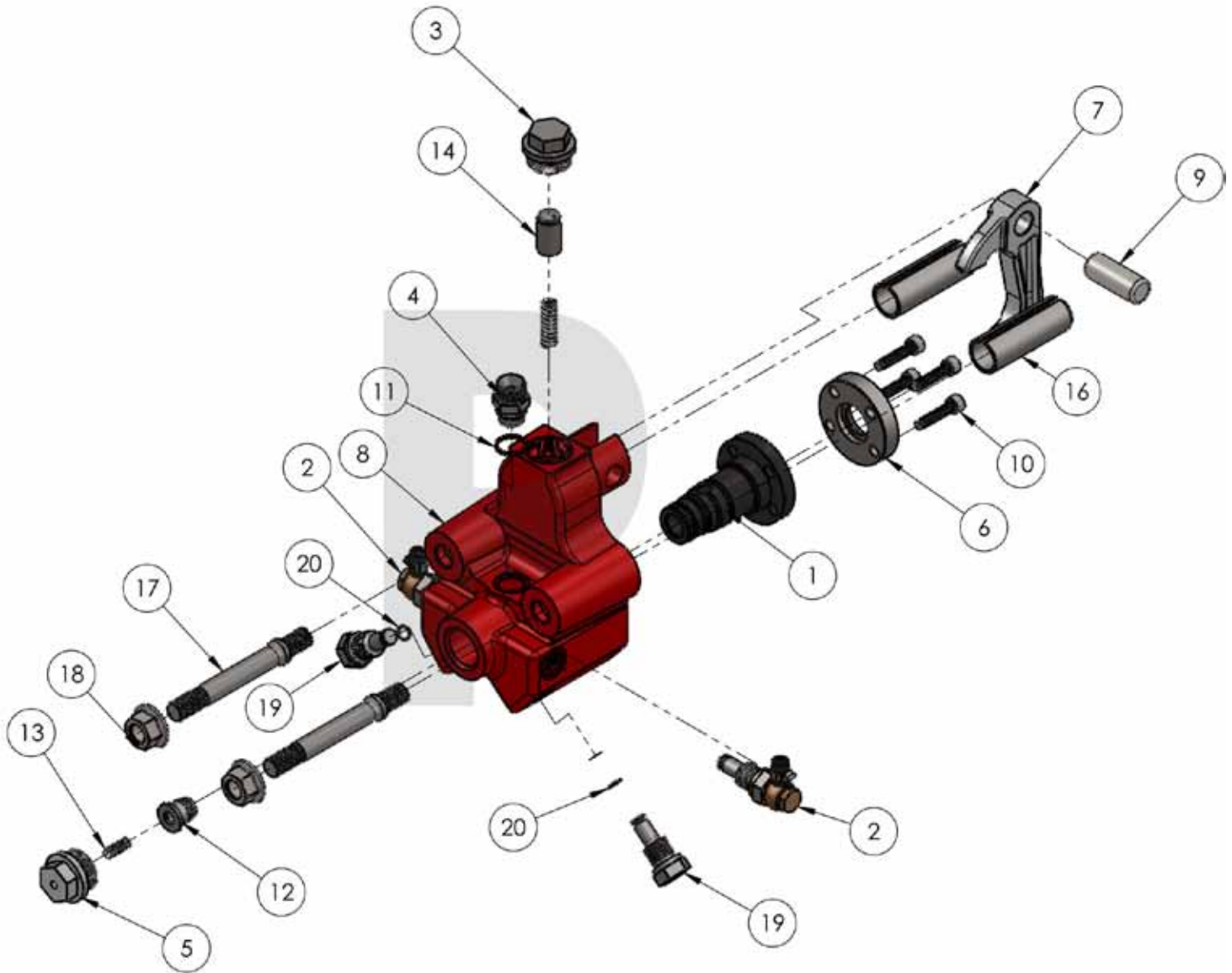


SECTION C-C
SCALE 1 : 3



SECTION A-A
SCALE 1 : 3

**Lube Pump
Complete**

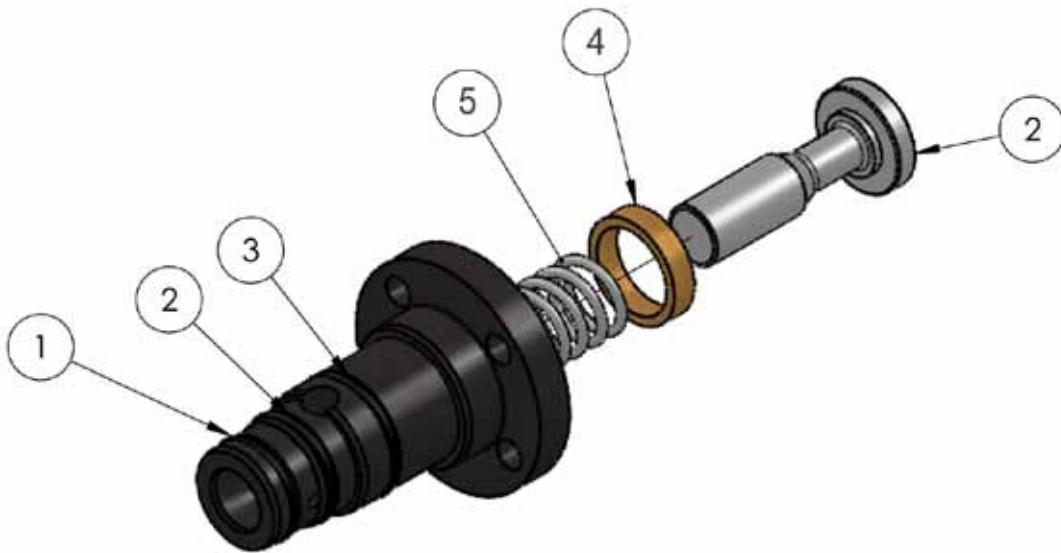


Lube Pump Continued.....

**Lube Pump
Complete**

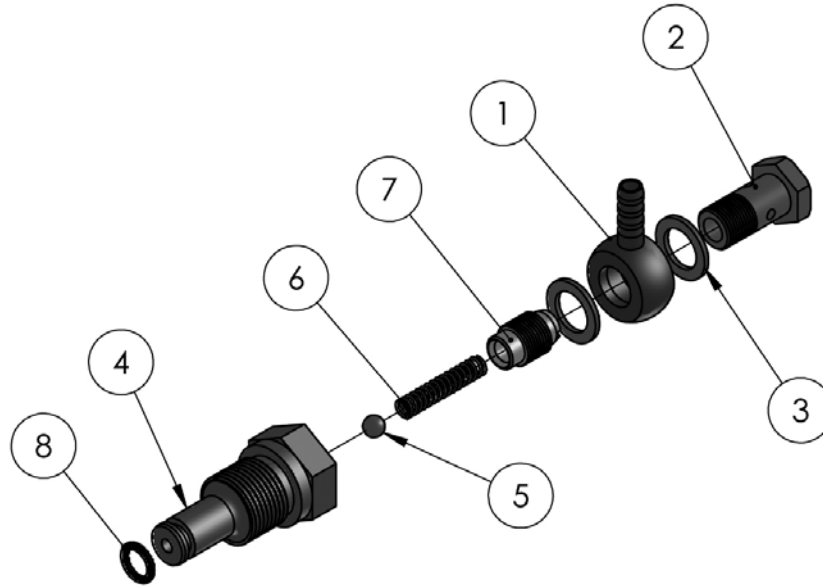
*each part number links to web site part

ITEM NO.	PART NUMBER	DESCRIPTION	QTY.
1	67279	CYLINDER COMPLETE	1
2	108317	PRESSURE VALVE COMPLETE	3
3	93080	PLUG SCREW	1
4	67290	ADAPTER	1
5	108309	PLUG SCREW	1
6	67282	WASHER	1
7	22081	LUBE PUMP LEVER	1
8	108315	LUBE PUMP BODY	1
9	22082	PUMP LEVER PIN	1
10	90937	M8 x 35 DIN 912 8.8	4
11	92031	SEALING RING A20 X 24	1
12	67284	PISTON COMPLETE	1
13	190479	PRESSURE SPRING 7.3 X 29.4 X 1.2	1
14	22090	SLEEVE	1
15	22089	PRESSURE SPRING 10 X 43 X 2	1
16	94315	DOWEL PIN 28 X 80 DIN 7346	2
17	20189	PUMP STUD M16	2
18	94722	M16 WASHER NUT	2
19	108316	PLUG SCREW	1
20	97855	O RING 8 X 2	1

**Cylinder
Complete**


**each part number links to web site part*

ITEM NO.	PART NUMBER	DESCRIPTION	QTY.
1	205020	O RING 24 X 3	1
2	91357	O RING 26 X 3	1
3	92952	O RING 30 X 3	1
4	67283	RING	1
5	97325	PRESSURE SPRING 22 X 52 X 2, 8	1

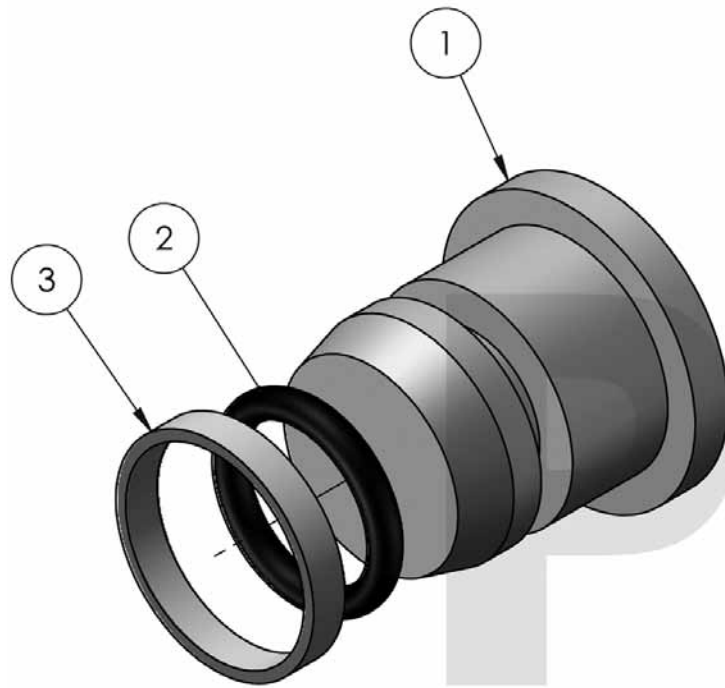
**Pressure Valve
Complete**


*each part number links to web site part

ITEM NO.	PART NUMBER	DESCRIPTION	QTY.
1	97949	RING NIPPLE	1
2	97948	HOLLOW SCREW A6 DIN 7623-6.8	1
3	91417	SEALING RING A12 X 15.5 DIN 7603-CU	2
4	108319	ADAPTER	1
5	90307	BALL 6MM DIN 5401	1
6	190005	PRESSURE SPRING 5 X 36 X 0.8	1
7	104679	PLUG SCREW	1
8	97855	8 X 2 O-RING	1

**SOLD
TOGETHER**

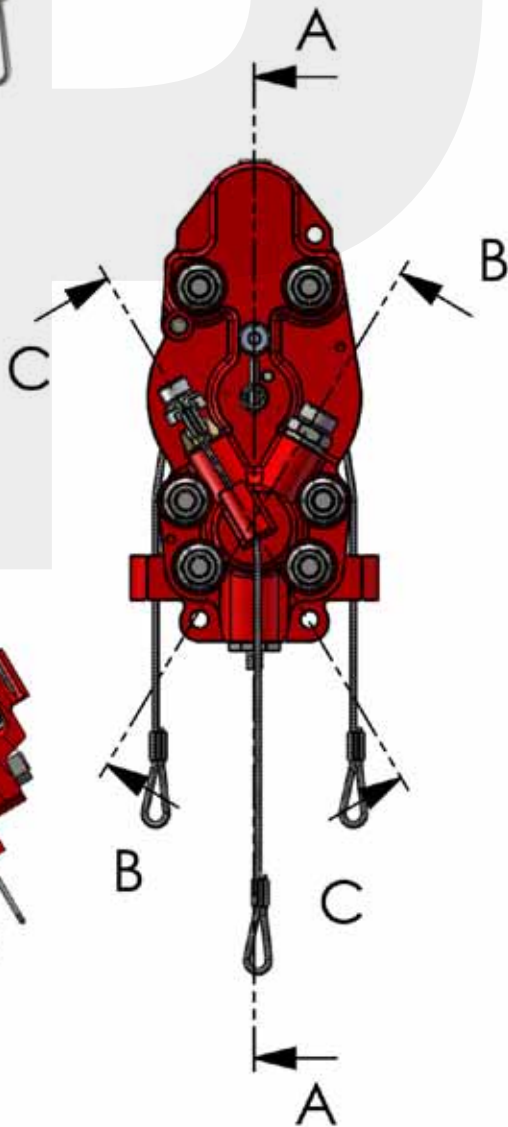
**Piston
Complete**



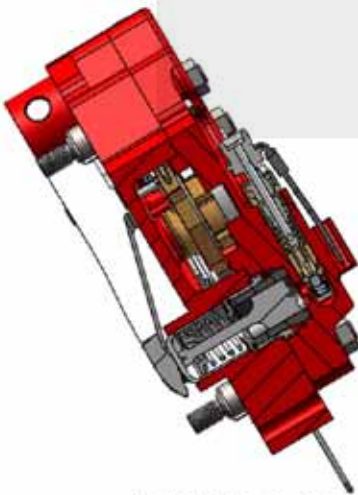
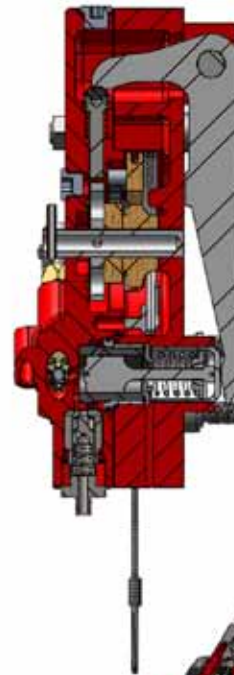
**each part number links to web site part*

ITEM NO.	PART NUMBER	DESCRIPTION	QTY.
1	67285	PISTON	1
2	97326	O RING	1
3	97326	SLIP RING	1

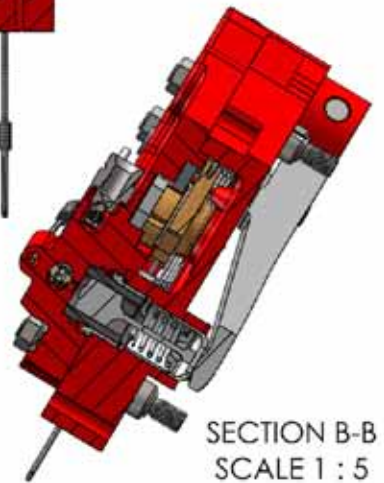
Manual Delivery Fuel Pump



SECTION A-A
SCALE 1 : 5

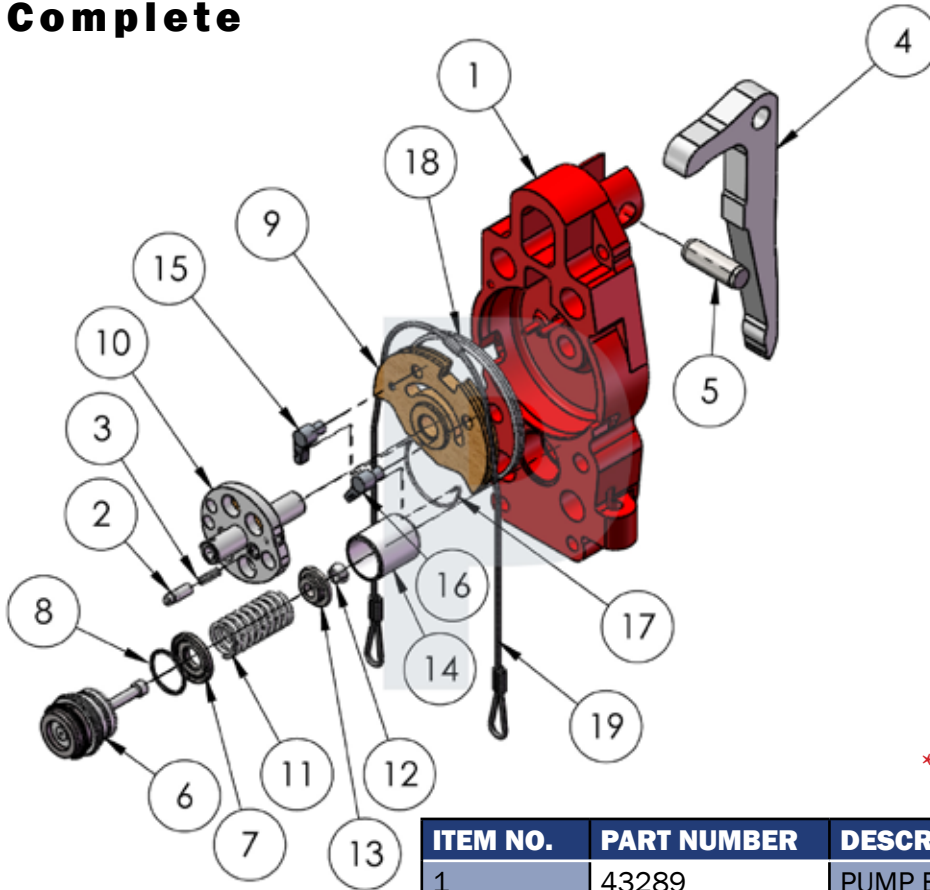


SECTION C-C
SCALE 1 : 5



SECTION B-B
SCALE 1 : 5

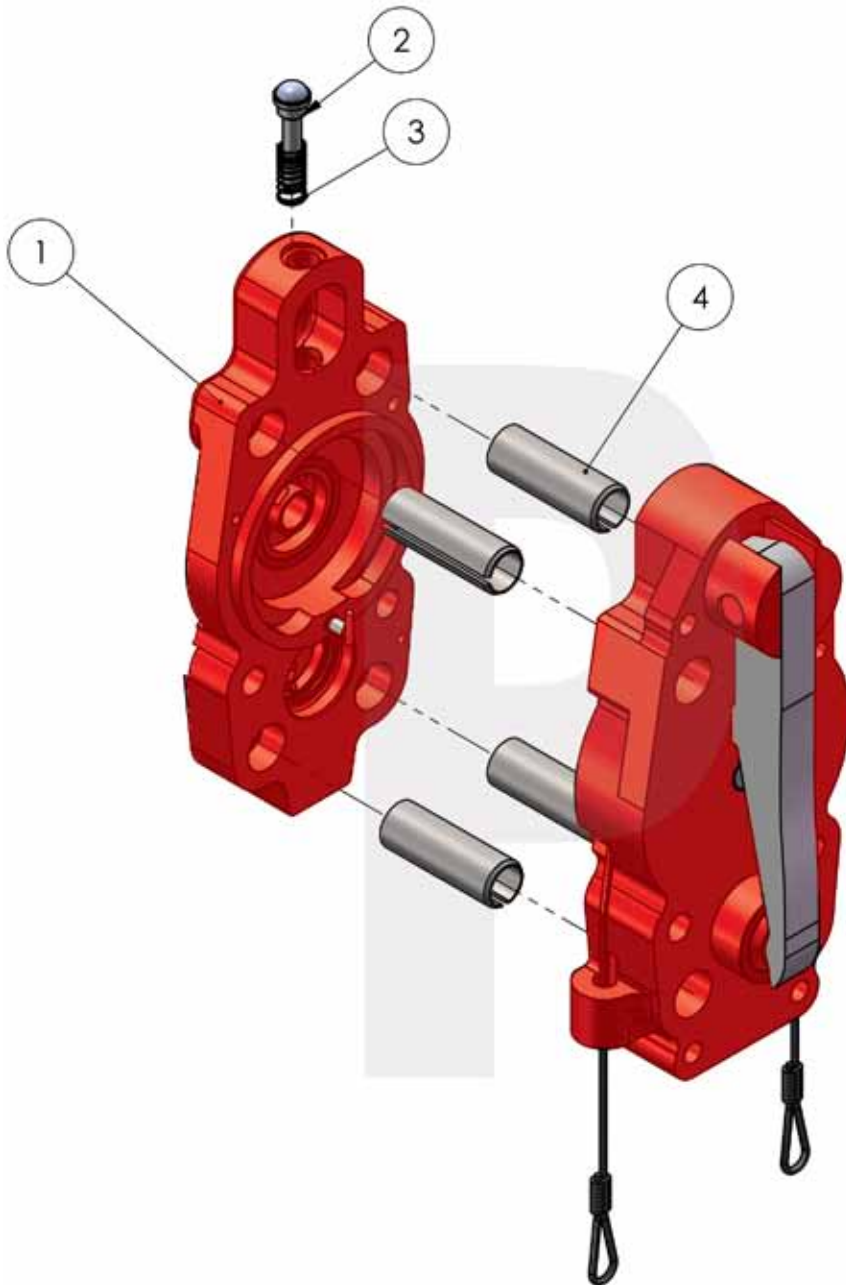
Variable Delivery Fuel Pump Complete



*each part number links to web site part

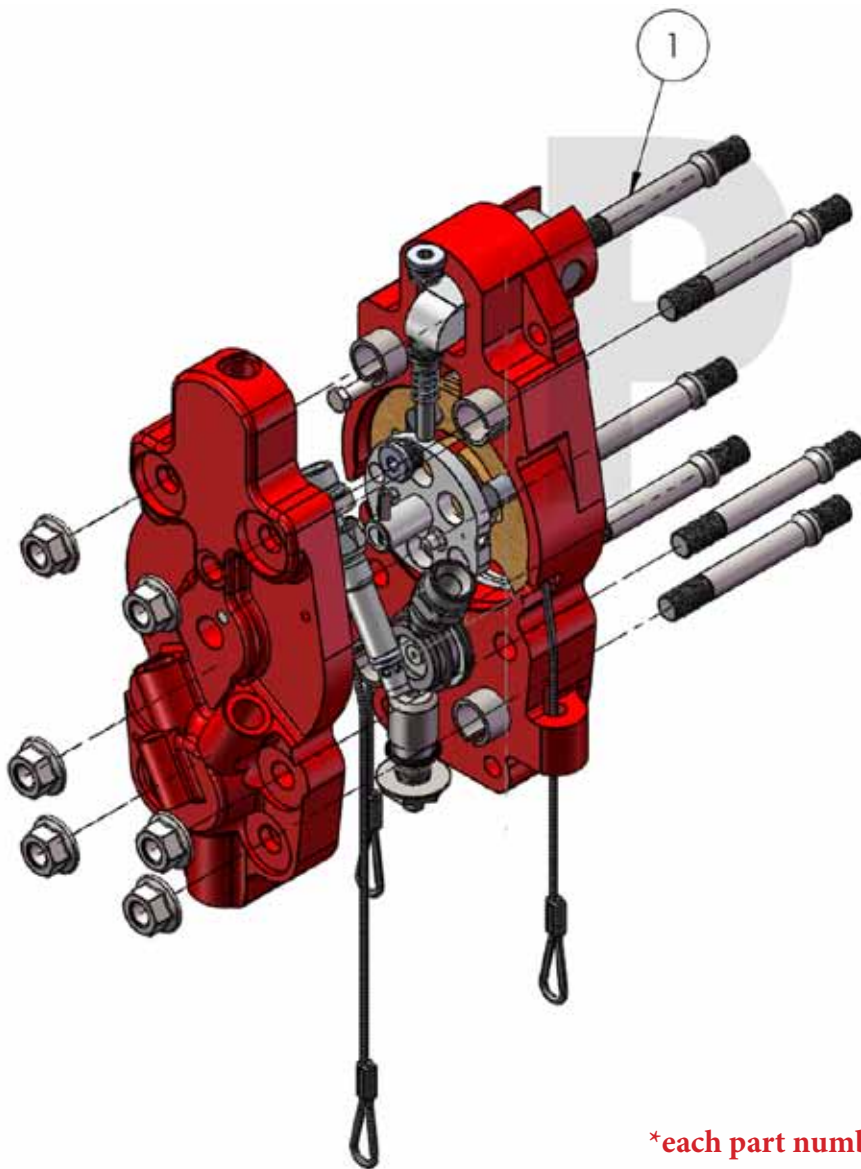
ITEM NO.	PART NUMBER	DESCRIPTION	QTY.
1	43289	PUMP BODY	1
2	22049	SCREEN PIN	1
3	22044	PRESSURE SPRING 5.5 X 20 X 1.2	1
4	41869	PUMP LEVER	1
5	22043	PUMP LEVER PIN	1
6	65528	D30 PUMP ELEMENT 22MM	1
7	43994	HOLDER RING	1
8	92996	ROUND SEALING RING 35 X 2.5	1
9	22040	ROPE DISC	1
10	43308	SWITCH SHAFT	1
11	22060	PRESSURE SPRING 28 X 67.2 X 3.5	1
12	22059	CONICAL RING 2 PCS	1
13	22058	SPRING RETAINING COLLAR	1
14	43287	GUIDE SLEEVE	1
15	22051	CAM	1
16	22052	CAM	1
17	22245	SPRING	1
18	22062	SWIVEL SPRING	1
19	17546	REGULATION ROPE	1

Variable Delivery Fuel Pump Complete



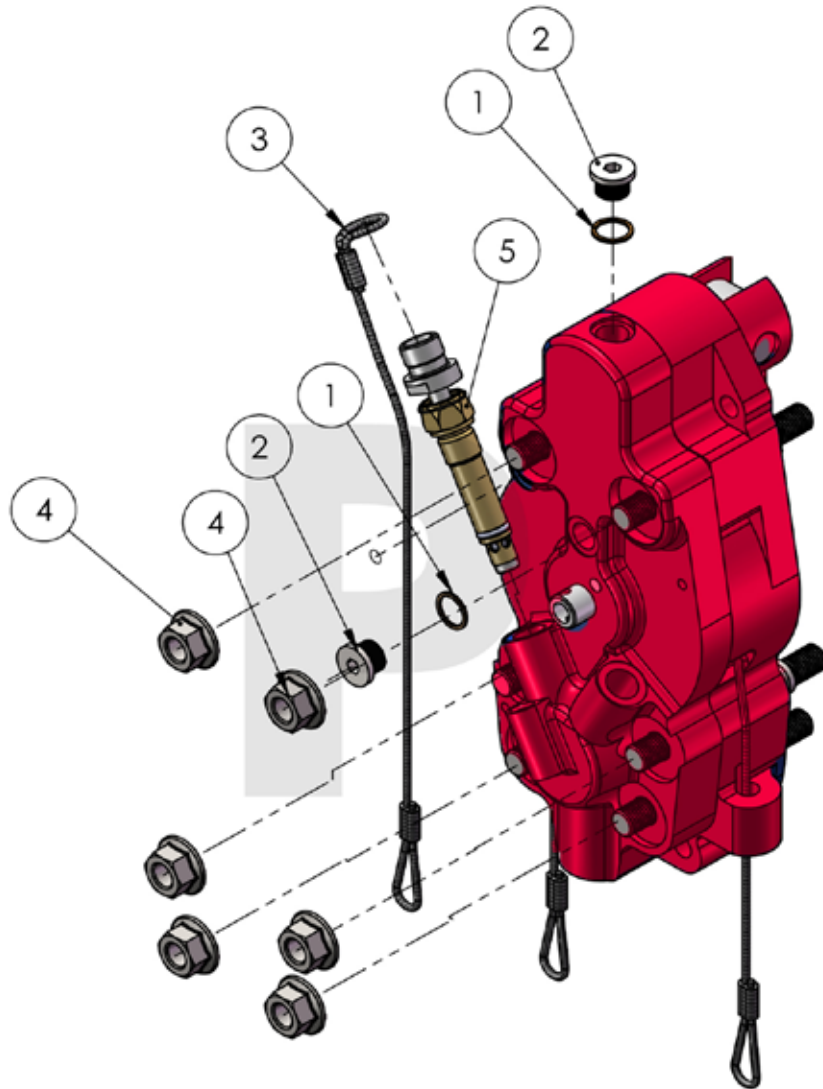
*each part number links to web site part

ITEM NO.	PART NUMBER	DESCRIPTION	QTY.
1	43291	PUMP COVER	1
2	62125	PRESSURE PIECE	1
3	22046	PRESSURE SPRING	1
4	94315	DOWEL PIN 28 X 80	4

**Variable Delivery Fuel Pump
Complete**


*each part number links to web site part

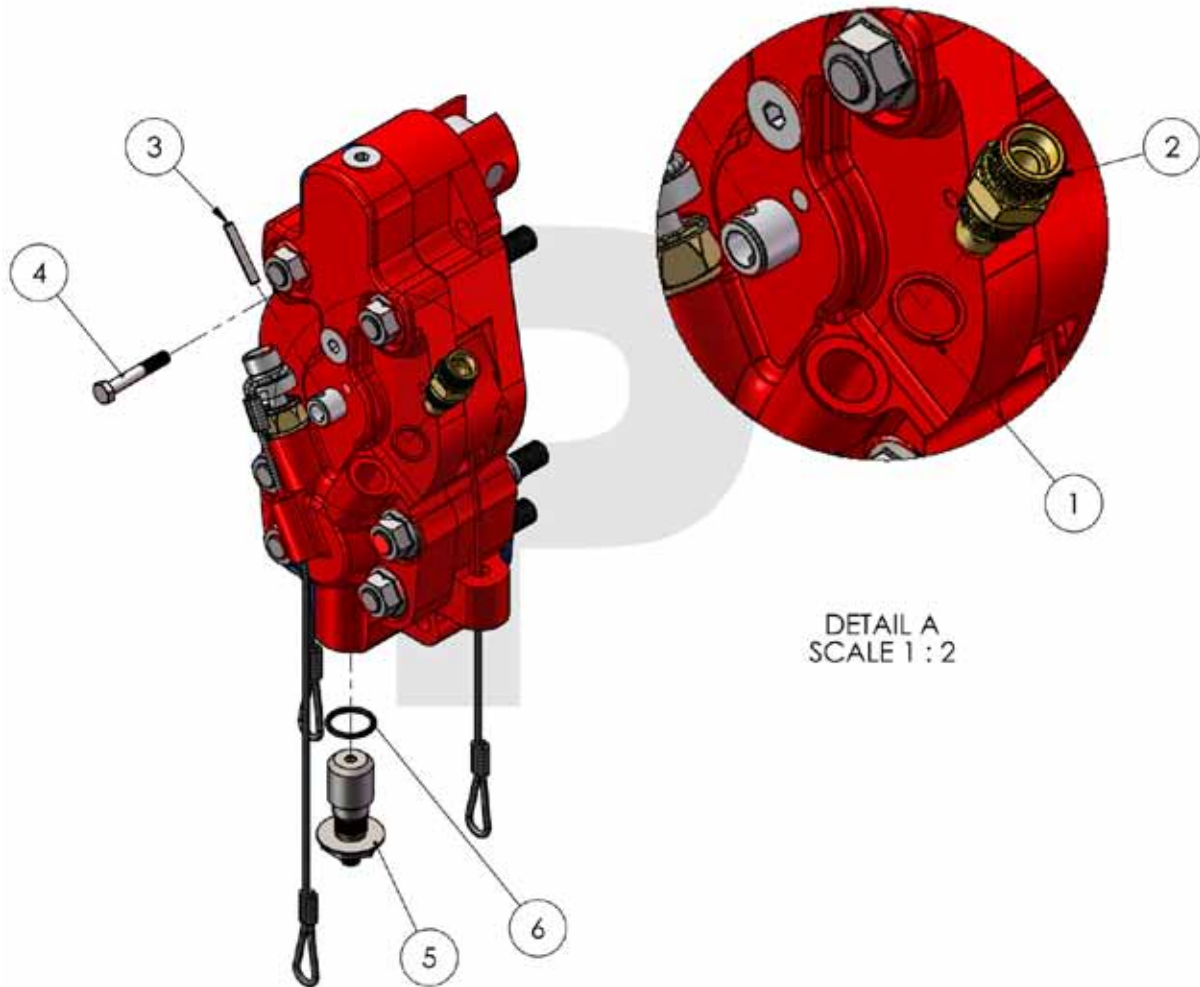
ITEM NO.	PART NUMBER	DESCRIPTION	QTY.
1	20189	PUMP STUD M16	6

**Variable Delivery Fuel Pump
Complete**


*each part number links to web site part

ITEM NO.	PART NUMBER	DESCRIPTION	QTY.
1	90002	SEALING RING A18 X 22	2
2	93055	PLUG SCREW M18 X 1.5	2
3	17546	REGULATING ROPE	1
4	94722	M16 WASHER NUT	6
5	41868	STOP VALVE COMPLETE	1

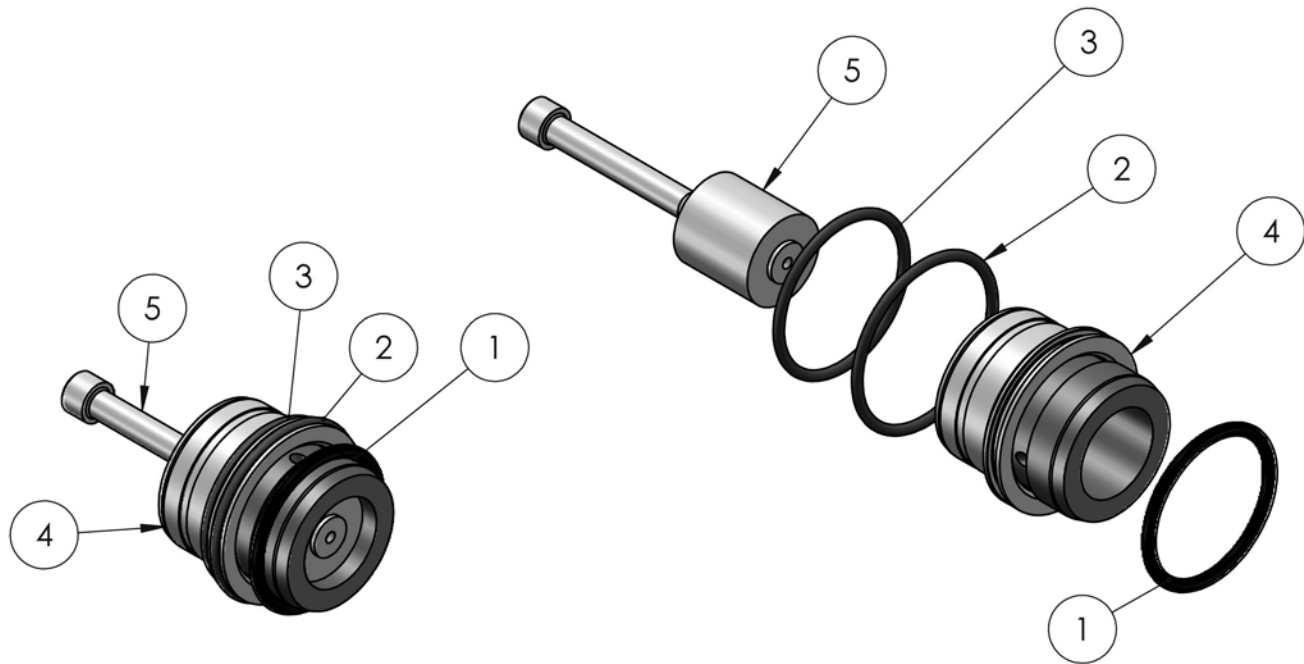
Variable Delivery Fuel Pump Complete



*each part number links to web site part

ITEM NO.	PART NUMBER	DESCRIPTION	QTY.
1	92031	SEALING RING A20 X 24	1
2	41863	SUCTION VALVE	1
3	90150	DOWEL PIN 6 X 40	1
4	93456	LOCKING SCREW M8 X 50	1
5	43296	CHECK NON-RETURN VALVE COMPLETE	1
6	91296	O-RING 22 X 3	1

22mm Pump Element Complete



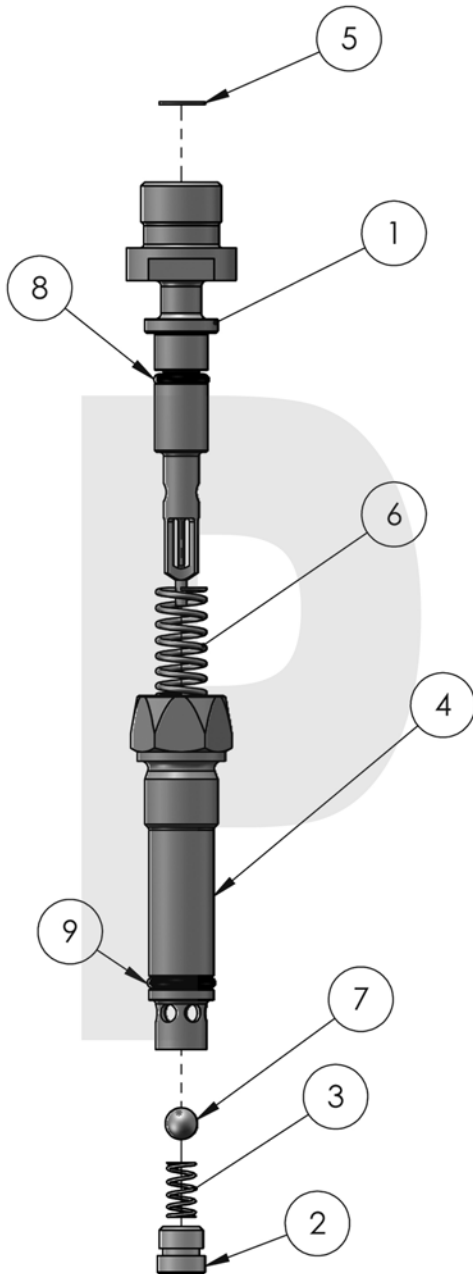
*each circle links to web site part

Sold as one complete unit!

ITEM NO.	PART NUMBER	DESCRIPTION	QTY.
1	95933	O-RING 42 X 3	1
2	91322	O-RING 44 X 3	1
3	91339	O-RING 40 X 2.5	1
4	65528	22MM ELEMENT BODY	1
5	65528	22MM ELEMENT PLUNGER	1

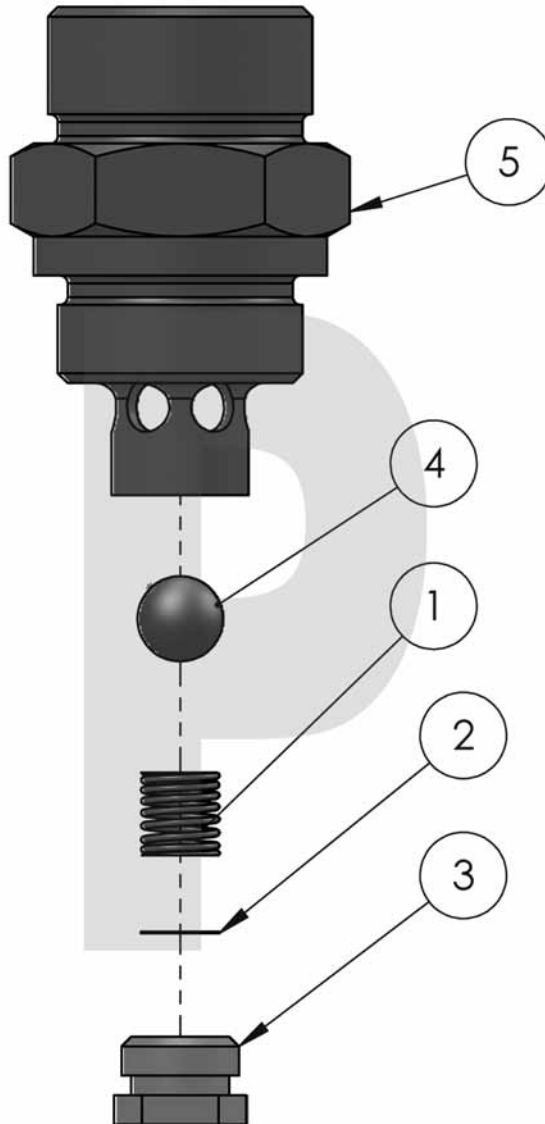
TOGETHER

Stop Valve Complete



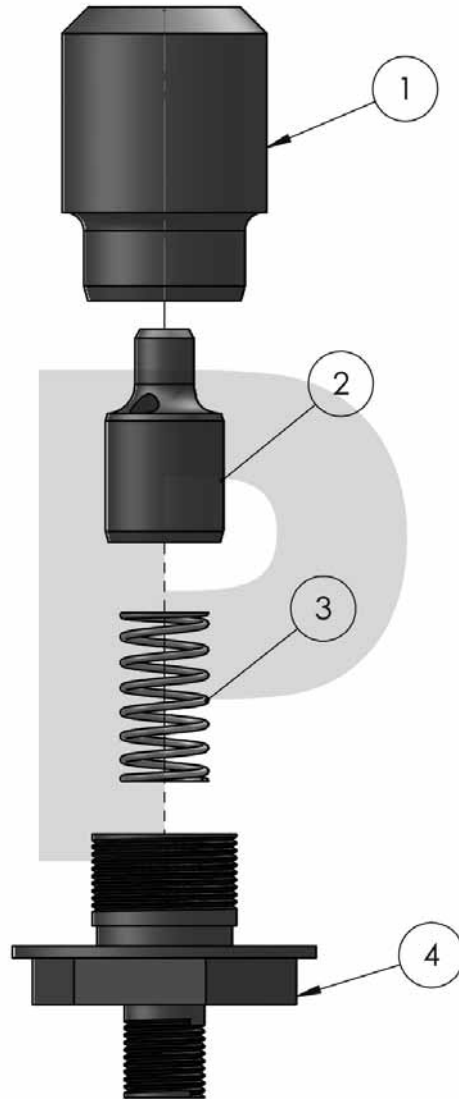
**each part number links to web site part*

ITEM NO.	PART NUMBER	DESCRIPTION	QTY.
1	43138	VALVE PISTON	1
2	22021	THREADED PLUG	1
3	98929	PRESSURE SPRING	1
4	43130	VALVE SCREW	1
5	95768	CIRCLIP 20 X 1	1
6	43279	PRESSURE SPRING	1
7	98511	BALL 8.731MM	1
8	91894	O-RING 8 X 3	1
9	94316	O-RING 12 X 3	1

**Suction Valve
Complete**


**each part number links to web site part*

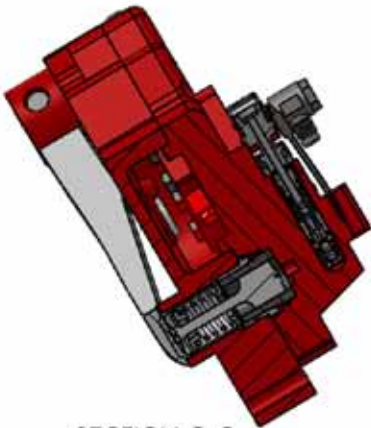
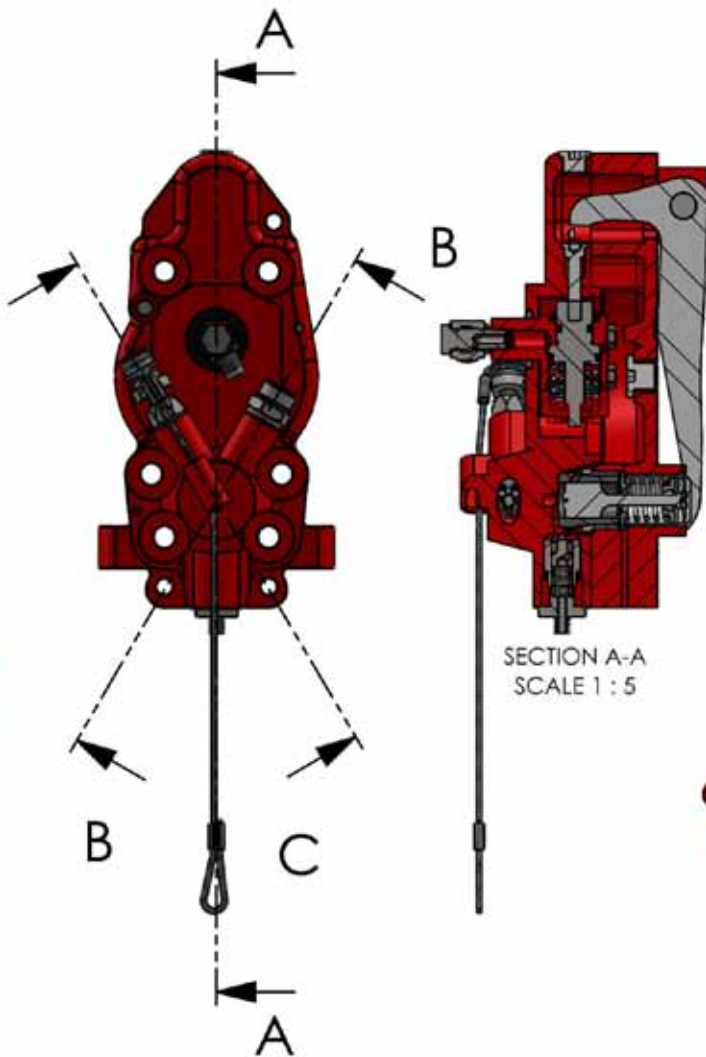
ITEM NO.	PART NUMBER	DESCRIPTION	QTY.
1	22022	PRESSURE SPRING 7.3 X 8 X 0.7	1
2	22023	WASHER	2
3	41862	THREADED PLUG	1
4	98511	BALL 8.731MM	1
5	41861	SLEEVE	1

**Check Non-Return Valve
Complete**


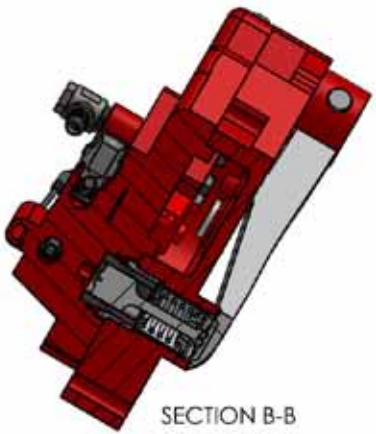
*each part number links to web site part

ITEM NO.	PART NUMBER	DESCRIPTION	QTY.
1	43297	HOUSING	1
2	43299	VALVE PISTON	1
3	22034	PRESSURE SPRING	1
4	43298	RING TYPE NIPPLE	1

Hydraulic Delivery Fuel Pump

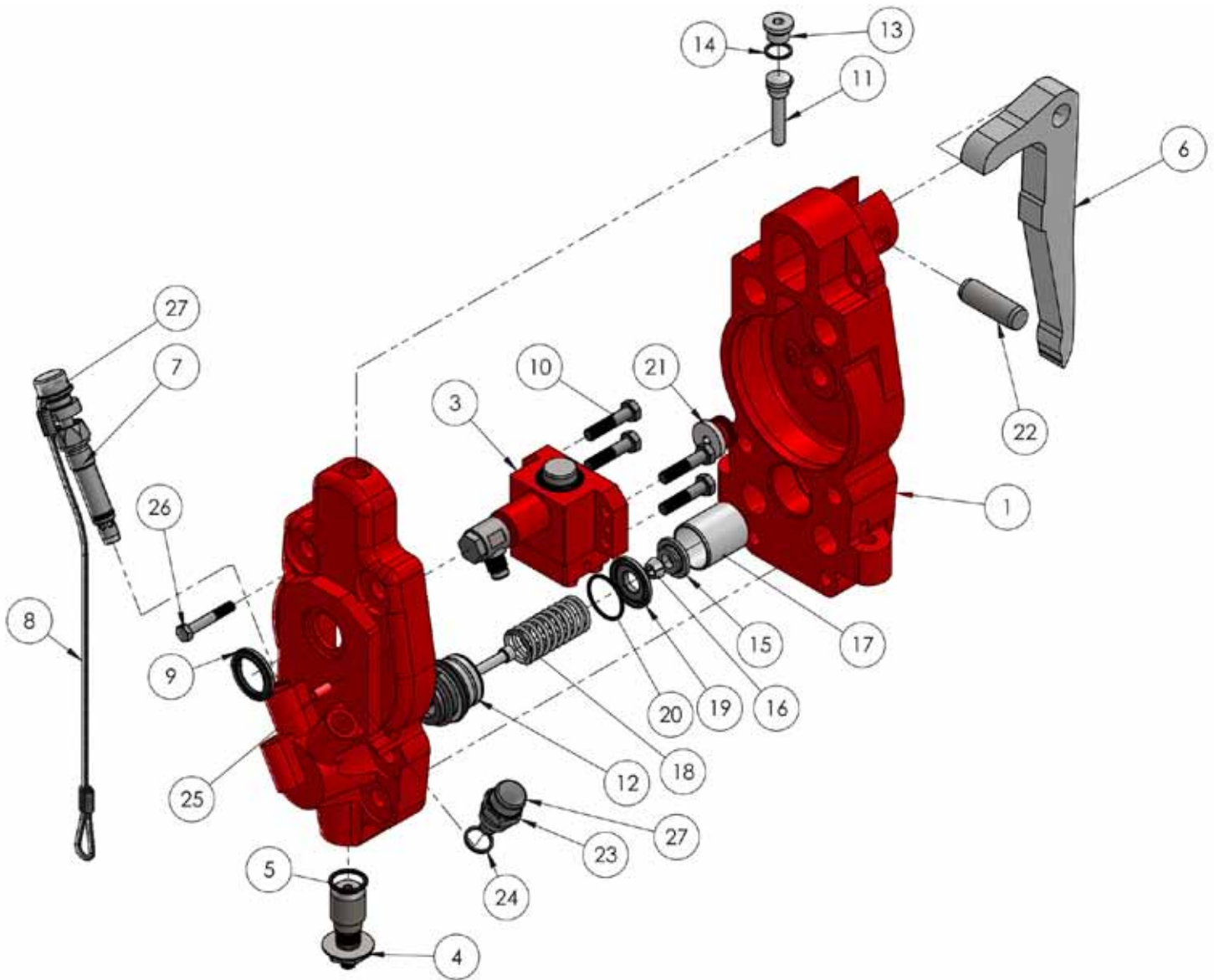


SECTION C-C
SCALE 1 : 5



SECTION B-B
SCALE 1 : 5

**Hydraulic Variable Delivery Fuel Pump
Complete**



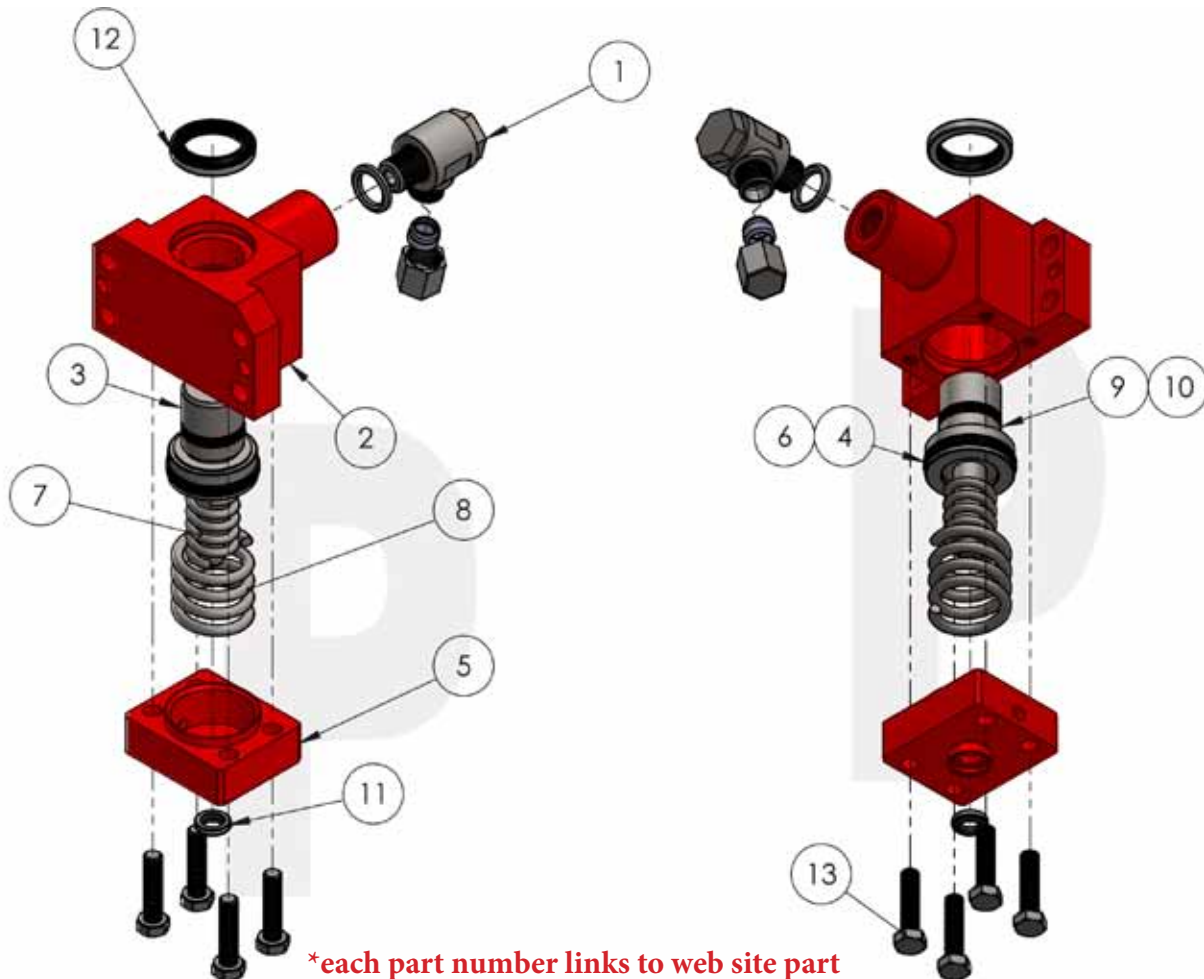
Hydraulic Variable Fuel Pump Continued.....

Hydraulic Variable Delivery Fuel Pump Complete

*each part number links to web site part

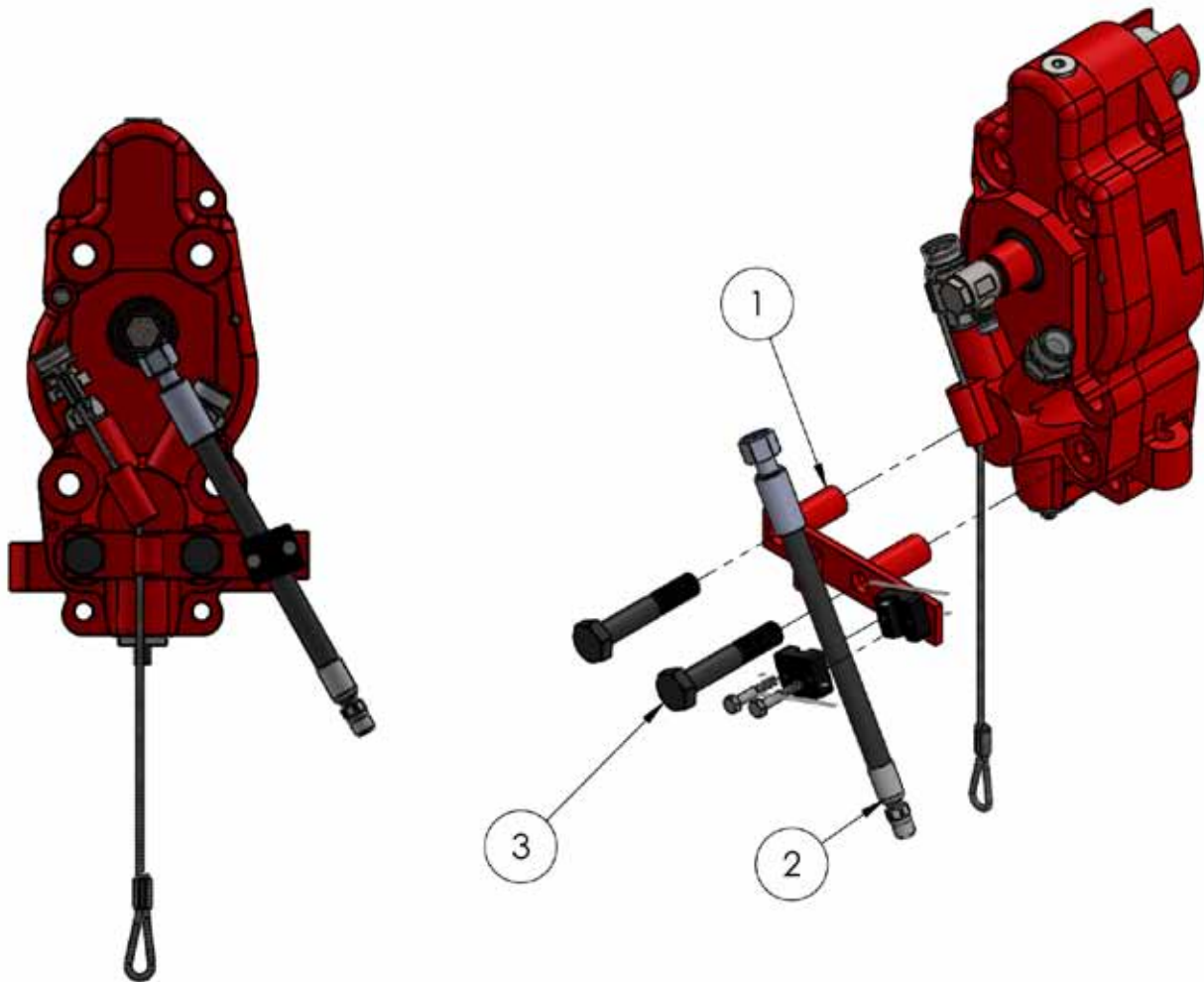
ITEM NO.	PART NUMBER	DESCRIPTION	QTY.
1	205503	PUMP BODY	1
2	205508	PUMP COVER	1
3	122446-C	FUEL PUMP CONTROL COMPLETE	1
4	43296	CHECK NON RETURN VALVE COMPLETE	1
5	91296	O RING 22 X 3	1
6	41869	PUMP LEVER	1
7	41868	STOP VALVE COMPLETE	1
8	17546	REGULATING ROPE	1
9	205507	DUST RING	1
10	93414	10-1.5 X 30 HEX HEAD CAPSCREW 8.8	4
11	205501	PRESSURE PIECE	1
12	65528	D30 PUMP ELEMENT 22MM	1
13	93055	PLUG SCREW 18 X 1.5	1
14	90002	SEALING RING 18 X 22	1
15	22058	SPRING RETAINING COLLAR	1
16	22059	CONICAL RING 2 PCS	1
17	43287	GUIDE SLEEVE	1
18	22060	PRESSURE SPRING 28 X 67.2 X 3.5	1
19	43995	HOLDER RING	1
20	92996	ROUND SEALING RING 35 X 2.5	1
21	91885	PLUG SCREW M26 X 1.5	1
22	22043	PIN	1
23	41863	SUCTION VALVE	1
24	92031	SEALING RING A20 X 24	1
25	205506	DOWEL PIN 8 X 20	1
26	93456	LOCKING SCREW M8 X 50	1
27	93236	PROTECTION CAP	2

Fuel Pump Control Complete



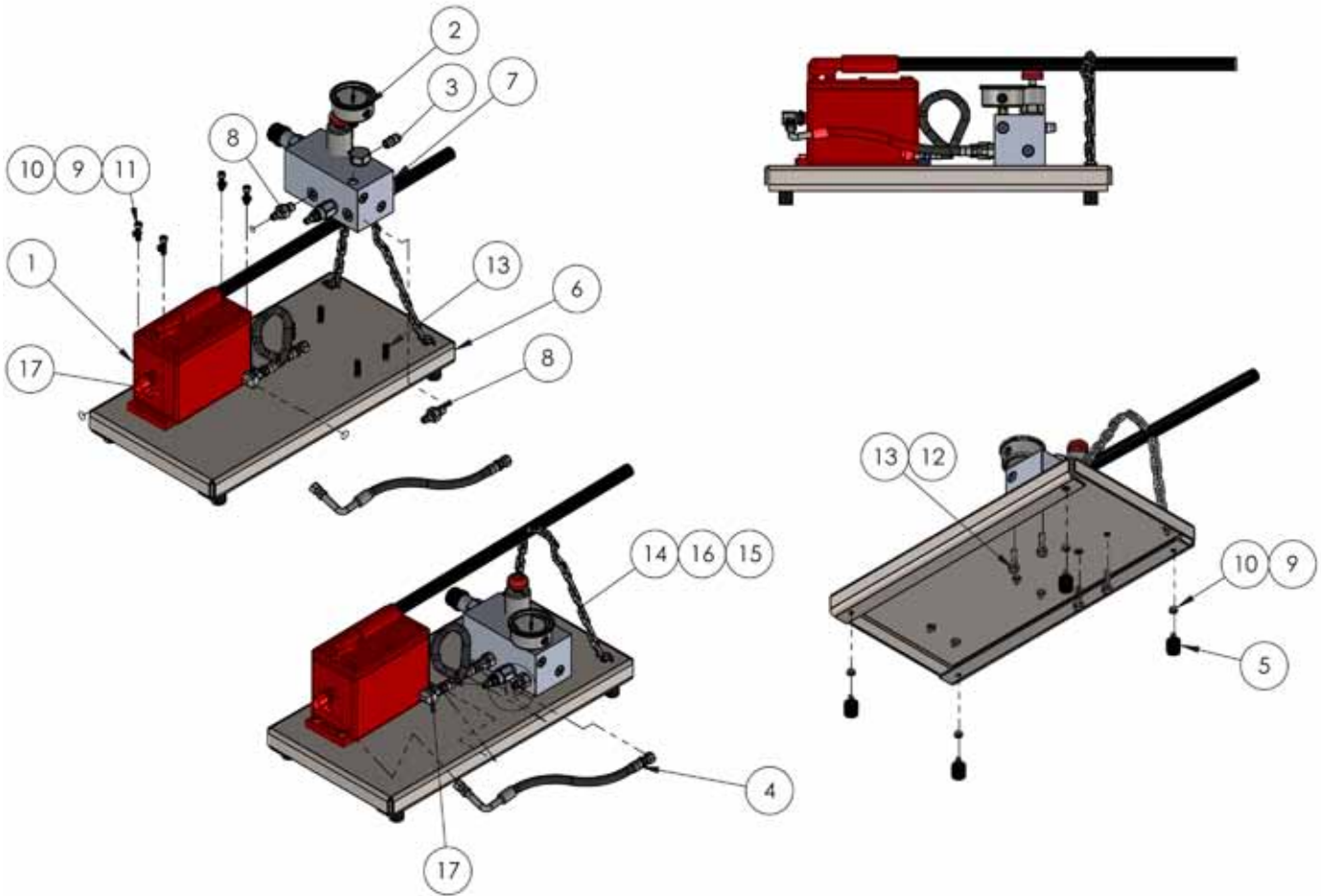
*each part number links to web site part

ITEM NO.	PART NUMBER	DESCRIPTION	QTY.
1	205509	METRIC BITE TYPE FITTING M16 X 1.5	1
2	126538-C	CYLINDER	1
3	126539	PISTON	1
4	193444	O-RING 32.93 X 3.53	1
5	126537-C	COVER	1
6	193446	BACK UP RING	1
7	193451	PRESSURE SPRING	1
8	193450	PRESSURE SPRING	1
9	193445	O-RING 20.22 X 3.53	1
10	193447	BACK UP RING	1
11	193448	ROD WIPER	1
12	193449	ROD WIPER	1
13	94989	8-1.25 X 35 HEX HEAD CAPSCREW	4

Pigtail Installment


ITEM NO.	PART NUMBER	DESCRIPTION	QTY.
1	205505	HYDRAULIC FUEL PUMP HOSE CLAMP	1
2	8001063	HYDRAULIC FUEL PUMP PIGTAIL HOSE	1
3	205504	16MM-2.0 X 90MM HEX HEAD CAP SCREW 8.8	2

Hydraulic Hand Pump Assembly

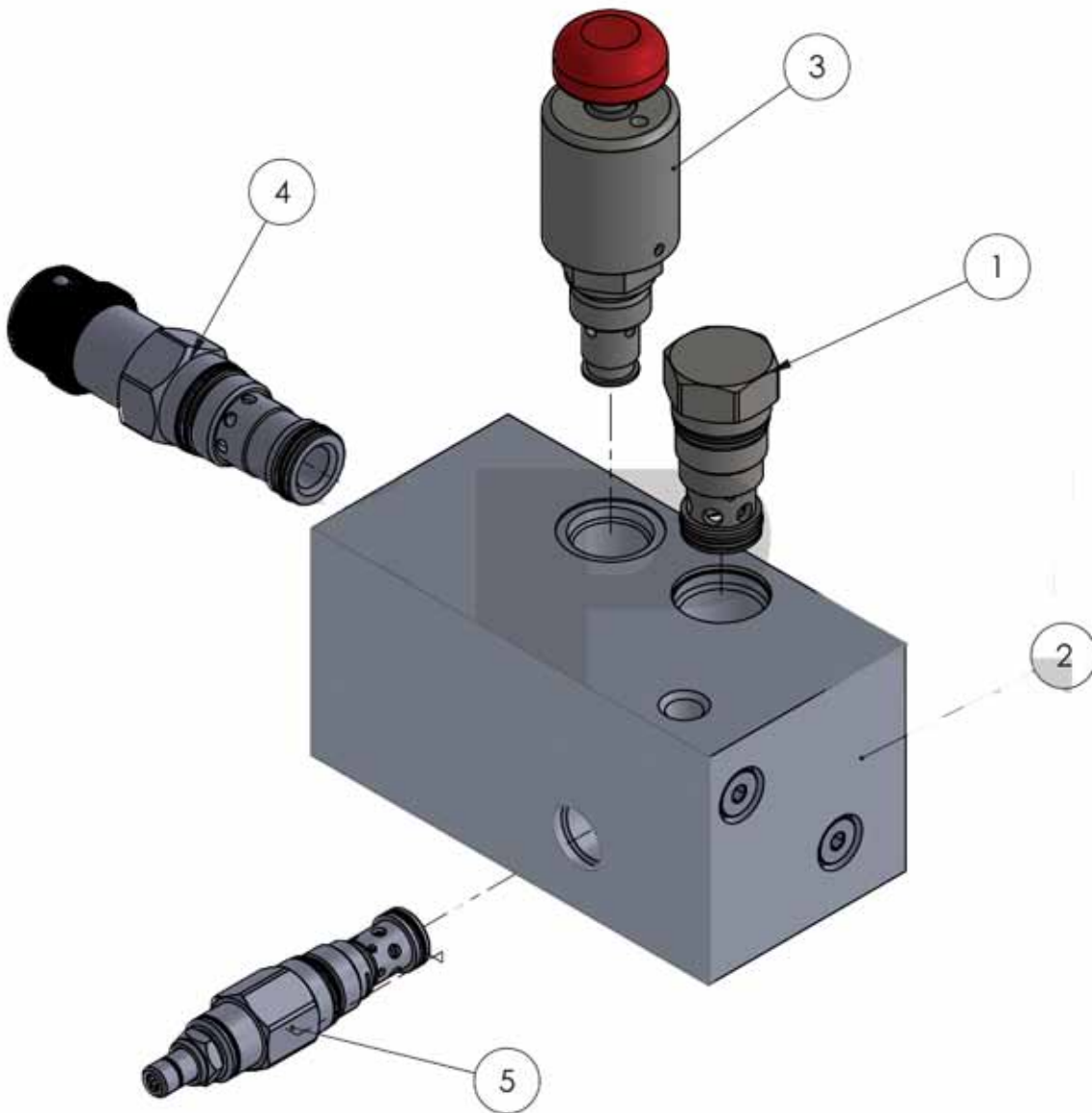


Hydraulic Hand Pump Assembly

Hydraulic Hand Pump Continued....

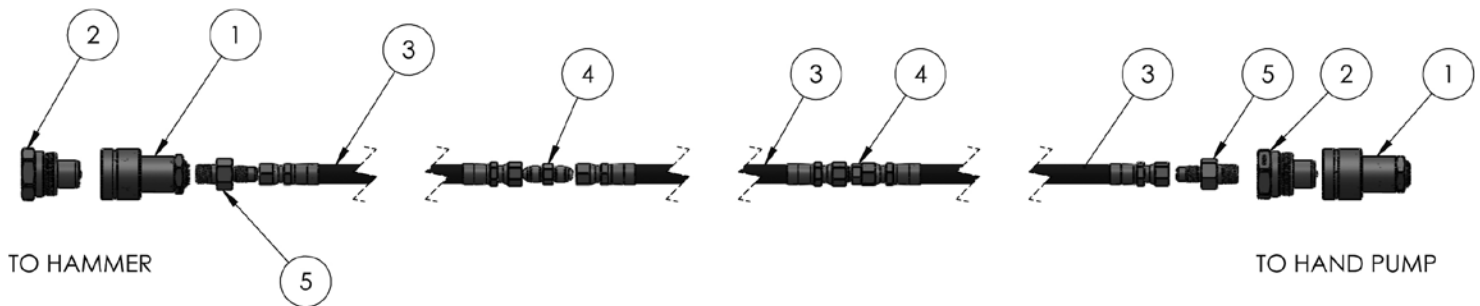
*each part number links to web site part

ITEM NO.	PART NUMBER	DESCRIPTION	QTY.
1	55107	P-51 ENERPAC PUMP	1
2	55120	G25-SL600-CB SS PRESSURE GAUGE	1
3	55121	4SAE MALE TO 1/4 NPT MALE ADAPTER	1
4	55104	1/4 JIC FEMALE SWIVEL FITTING TO 1/4 JIC FEMALE SWIV- EL 1/4 PRESSURE HOSE	1
5	55122	RUBBER FOOT 1" X 1"-1/4-20 X 3/4 BOLT	4
6	55105	PLATE	1
7	55103	MANIFOLD COMPLETE	1
8	55123	4 SAE MALE TO 1/4 JIC MALE STRAIGHT ADAPTER	2
9	55124	M6 SPLIT LOCKWASHER	14
10	55125	M6-1.0 JAM NUT	10
11	55126	6-1.0 X 25 SOCKET HEAD CAPSCREW	4
12	55127	8MM SPLIT LOCKWASHERS	4
13	55128	8-1.25 X 30 HEX HEAD CAPSCREW	4
14	55108	CHAIN LINK #2/0 X 16"	1
15	55129	6MM FLAT WASHER	2
16	55130	6-1.0 X 20 HEX HEAD CAPSCREW	2
17	55131	3/8 NPT MALE TO 1/4 JIC MALE 90 ADAPTER	2
18	55109	1/4 JIC FEMALE SWIVEL FITTING TO 1/4 JIC FEMALE SWIV- EL HOSE TO TANK	1

**Manifold
Complete**


**each part number links to web site part*

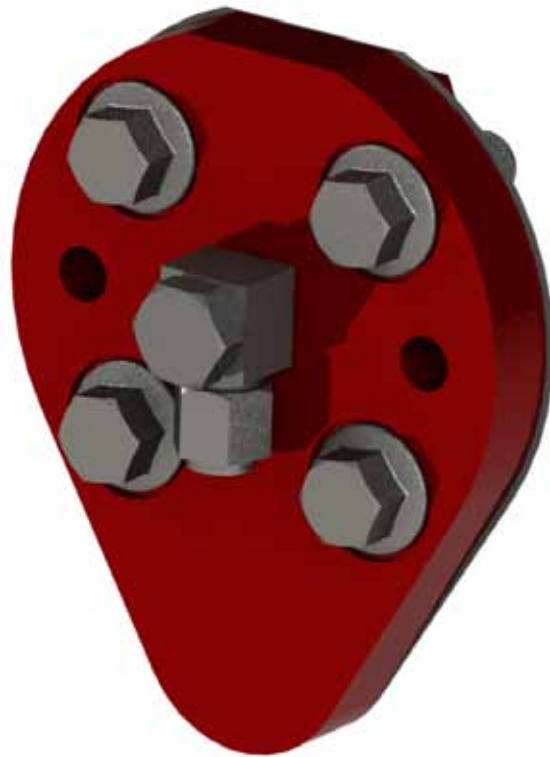
ITEM NO.	PART NUMBER	DESCRIPTION	QTY.
1	55110	CXFA-XCN DIRECTION CHECK	1
2	55106	MANIFOLD	1
3	55111	DOERING DUMP VALVE	1
4	55112	NEEDLE VALVE	1
5	55113	RELIEF VALVE	1

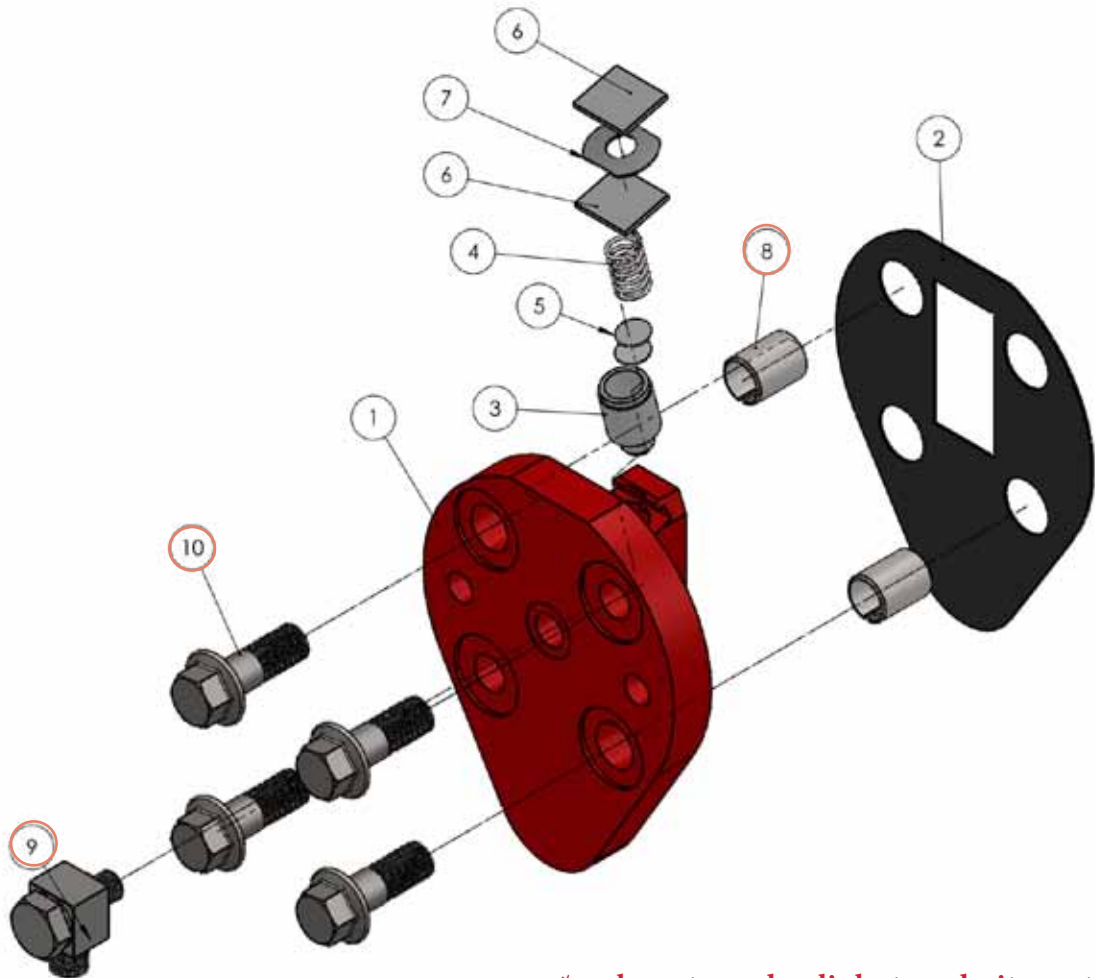
**HAND PUMP 1/4" HOSE ASSEMBLY
150FT IN 50FT SECTIONS**


**each part number links to web site part*

ITEM NO.	PART NUMBER	DESCRIPTION	QTY.
1	55133	1/4" COUPLER NPFT SCREW TYPE QUICK DISCONNECT FEMALE	2
2	55134	1/4" 3000 SERIES NIPPLE NPFT SCREW TYPE QUICK DISCONNECT MALE	2
3	8000440	4 FEMALE JIC TO 4 FEMALE JIC 1/4 HOSE 50FT	3
4	55137	4 JIC MALE TO 4 JIC MALE STRAIGHT ADAPTER	2
5	8001067	1/4 NPT MALE TO 1/4 JIC MALE STRAIGHT ADAPTER	2

Fuel Injection

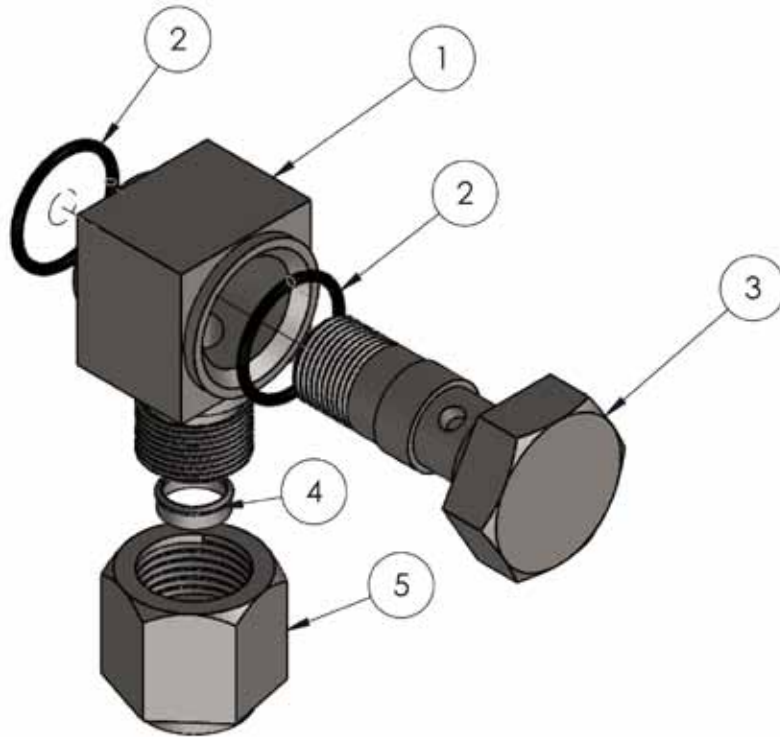


**Fuel Injection Device
Complete**


**each part number links to web site part*

ITEM NO.	PART NUMBER	DESCRIPTION	QTY.
1	102133	INJECTION PLATE	1
2	45647	GASKET	1
3	63843	VALVE PISTON	1
4	97569	PRESSURE SPRING	1
5	97573	ADJUSTING WASHER	2
6	64460	LOCKING PLATE	2
7	64461	SPRING WASHER	1
8	sold separately 95633	DOWEL PIN 21 X 28 DIN 7346	2
9	sold separately 97038	THREADED PIPE JOINT (UNION)	1
10	sold separately 95639	LOCKING SCREW M16 X 45	4

Threaded Pipe Joint Complete



NOTE: ITEM SHOULD BE REPLACED WITH NEW PIPE JOINT COMPLETE WHEN REMOVED FOR SERVICING

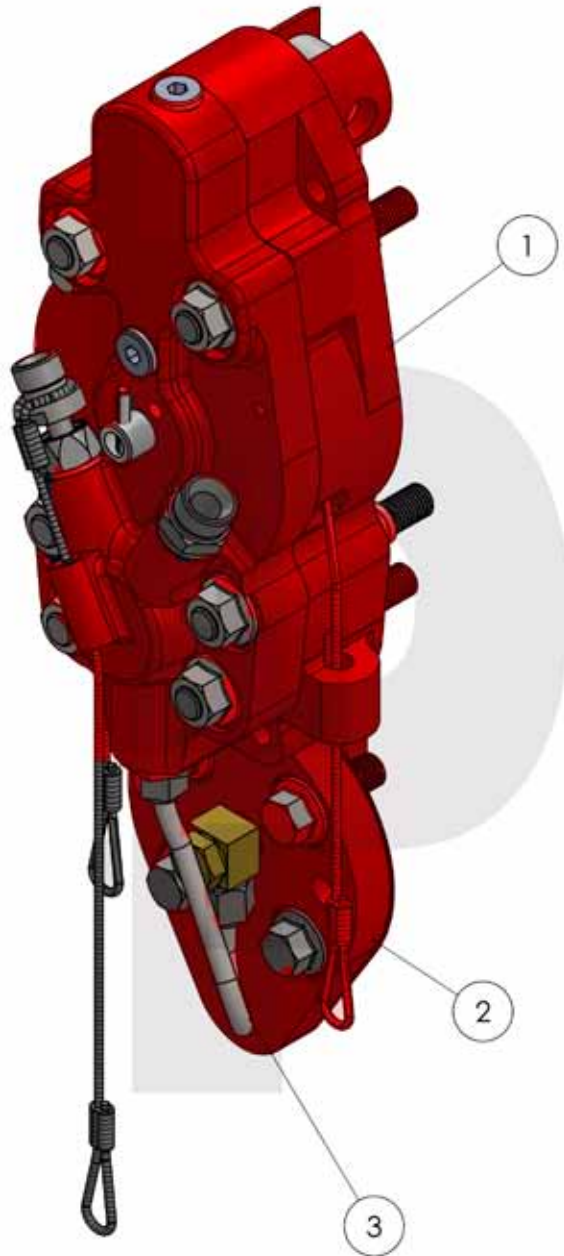
#1 SOLD COMPLETE

**each part number links to web site part*

ITEM NO.	PART NUMBER	DESCRIPTION	QTY.
1	97038	THREADED PIPE JOINT	1
2	97258	O RING 17 X 1.5	2
3	210405	HOLLOW SCREW	1
4	90127	OLIVE	1
5	204012	UNION NUT M16X1.5	1

SOLD TOGETHER

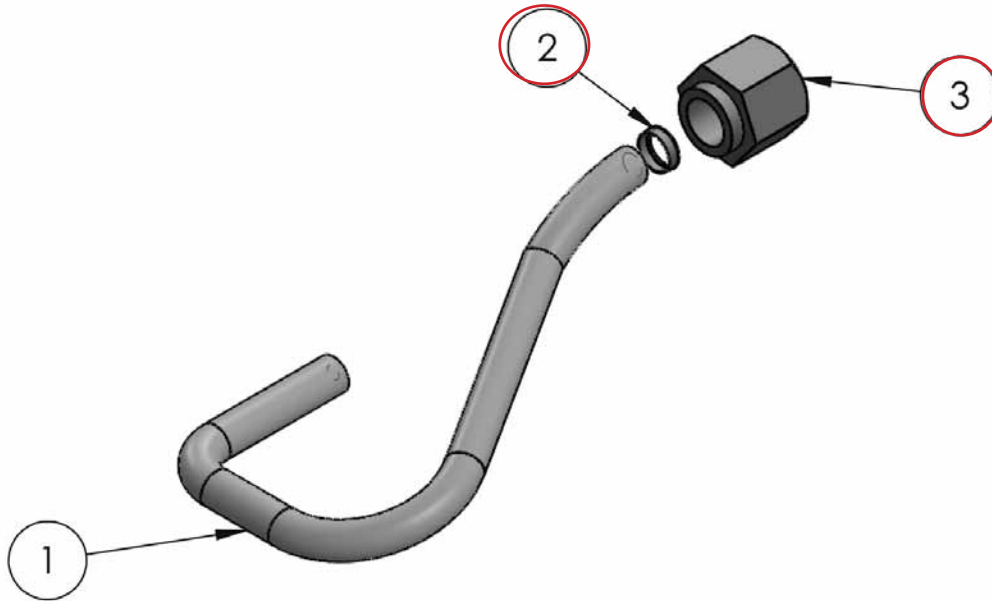
Fuel Injection System Complete



*each part number links to web site part

ITEM NO.	PART NUMBER	DESCRIPTION	QTY.
1	105172	VARIABLE-DELIVERY FUEL PUMP D30	1
2	104675	INJECTION VAVLE COMPLETE	1
3	104974	FUEL TUBE COMPLETE	1

Fuel Tube Assembly



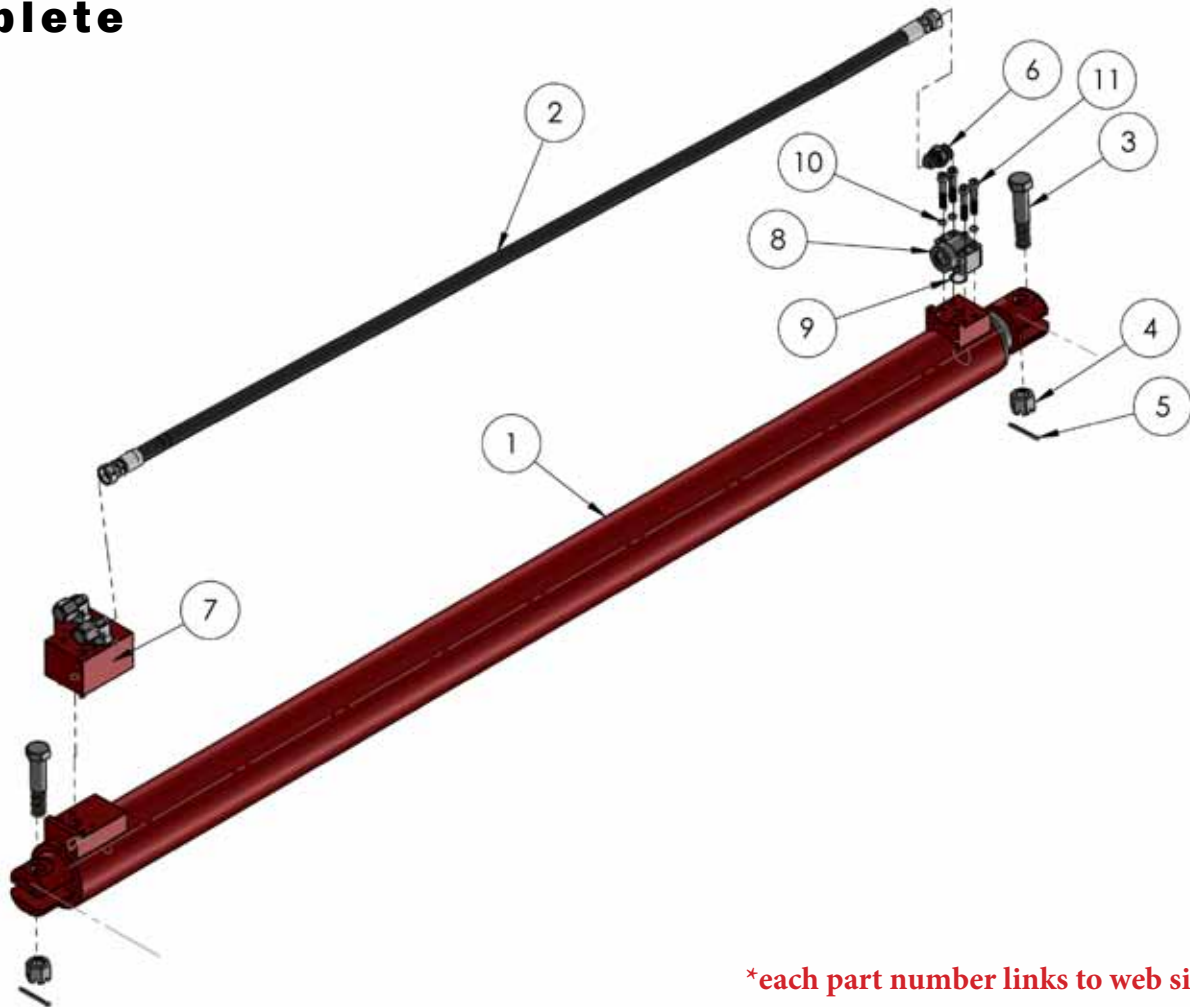
NOTE: FUEL TUBE , NUT, AND OLIVE SHALL BE REPLACED IF REMOVED DURING SERVICE

**DO NOT OVER TIGHTEN COMPRESSION NUTS
DAMAGE TO TUBE MAY OCCUR!**

**each part number links to web site part*

ITEM NO.	PART NUMBER	DESCRIPTION	QTY.
1	104974	FUEL TUBE	1
2 sold separately	90127	OLIVE	1
3 sold separately	90128	UNION NUT M18X1.5	1

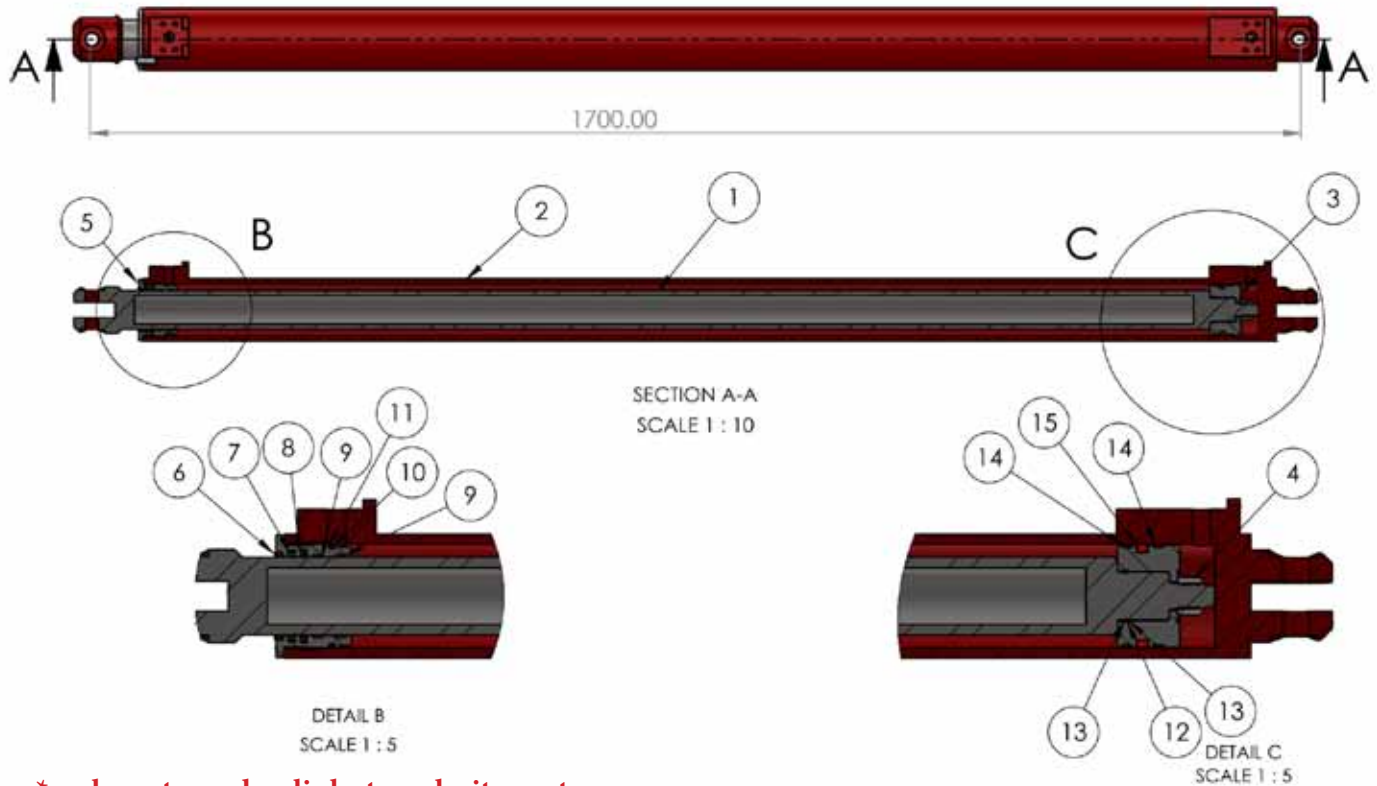
Hydraulic Cylinder Complete



*each part number links to web site part

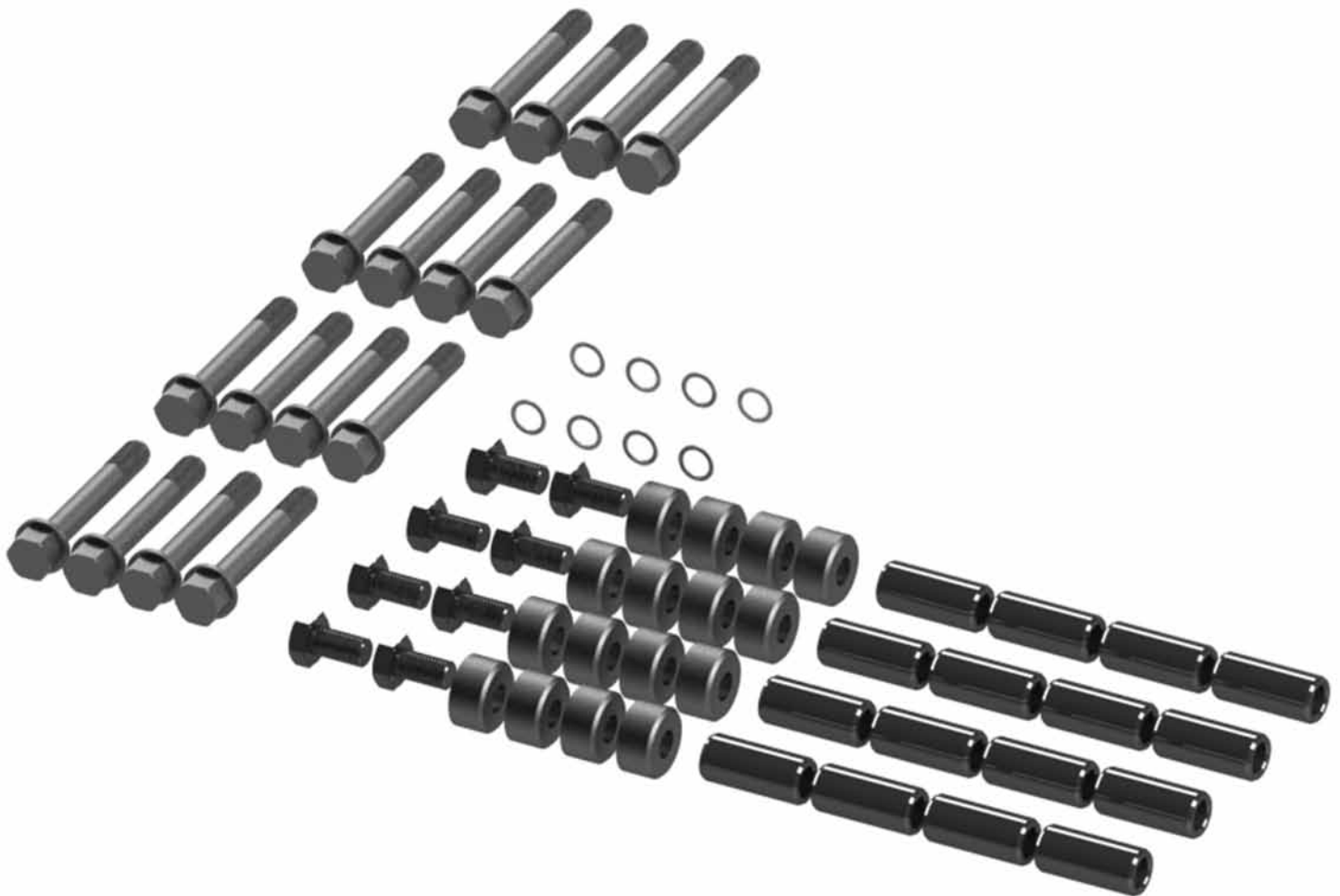
ITEM NO.	PART NUMBER	DESCRIPTION	QTY.
1	203171	HYDRAULIC START CYLINDER	1
2	203175	1950MM HOSE	1
3	205110	24MM-3.0 X 110 HEX HEAD CAP SCREW w/ PIN HOLE	2
4	205111	M24 SLOTTED HEX NUT	2
5	205112	5 X 40 COTTER PIN	2
6	203124	3/4-1 1/16 - 12 JIC Straight Thread Connectors 37° Flare /SAE-ORB 12 F50X	1
7	201108	LOWER HYDRAULIC BLOCK ASSEMBLY	1
8	203173	W184-12-12 ANCHOR FLANGE	1
9	203172	O-RING 2-214 24.99 X 3.53	1
10	207116	10MM HI COLLAR LOCK WASHER	4
11	203174	10MM X 55 SOCKET HEAD CAP SCREW	4

Hydraulic Cylinder Assembly



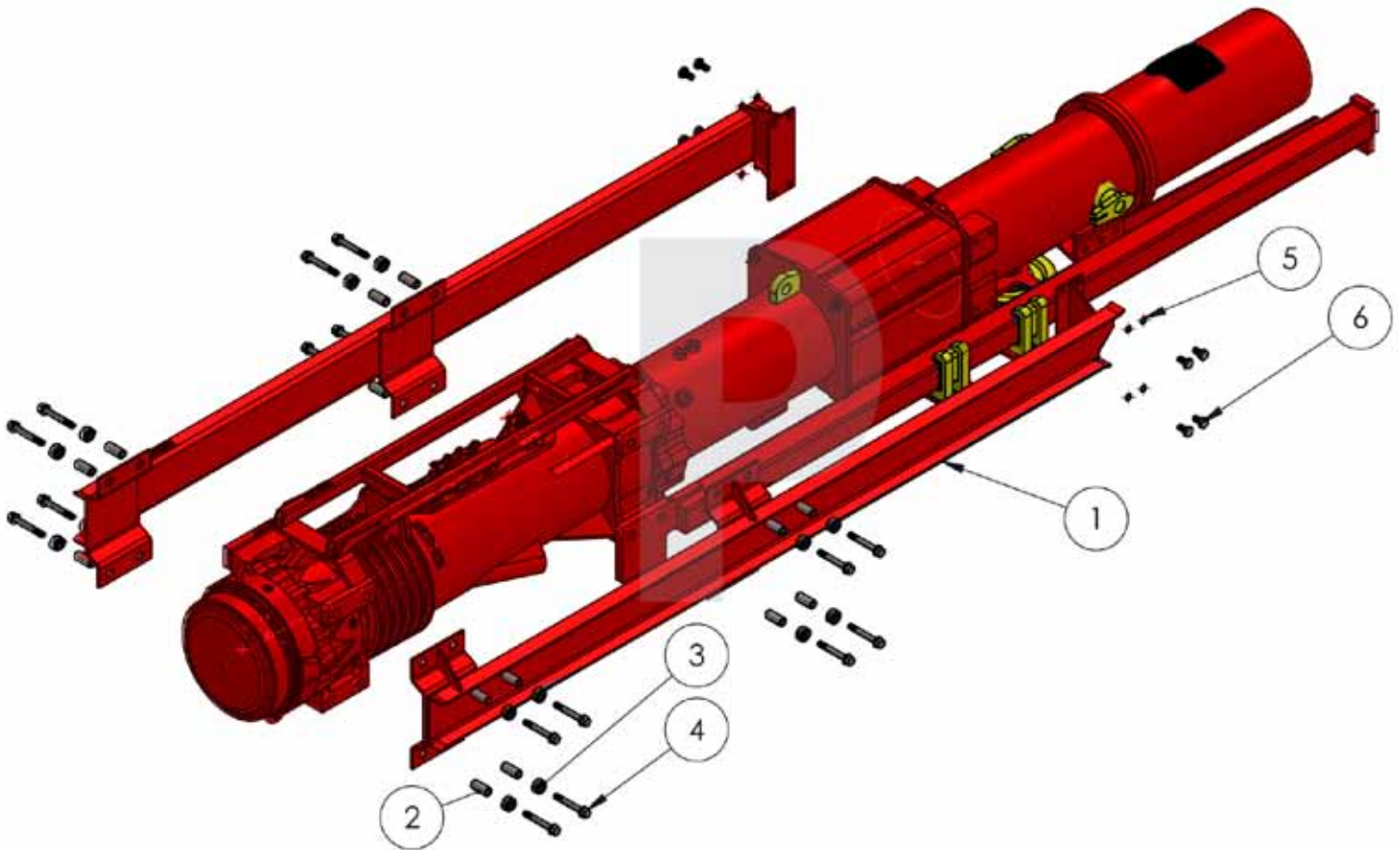
*each part number links to web site part

ITEM NO.	PART NUMBER	DESCRIPTION	QTY.
1	203178	CYLINDER ROD	1
2	203180	CYLINDER SLEEVE	1
3	203181	PISTON	1
4	201104	20MM X 2.5 NYLON INSERT LOCK NUT	1
5	203179	CLINDER HEAD	1
6	203146	WIPER SEAL	1
7	203162	ROD SEAL	1
8	203163	ROD SEAL	1
9	203164	WEAR RING	2
10	203165	2-239 91.67X3.53 O-RING	1
11	203166	95X100.5-1.5 BACKING RING	1
12	203167	2-132 44.12×2.62 O-RING	1
13	203168	45×49-1 BACKING RING	2
14	203169	100X95-9.7 GUIDING RING	2
15	203155	100X85X12.5 DOUBLE ACTING PISTON SEAL	1

**D30 GUIDING HARDWARE
Assembly Kit**


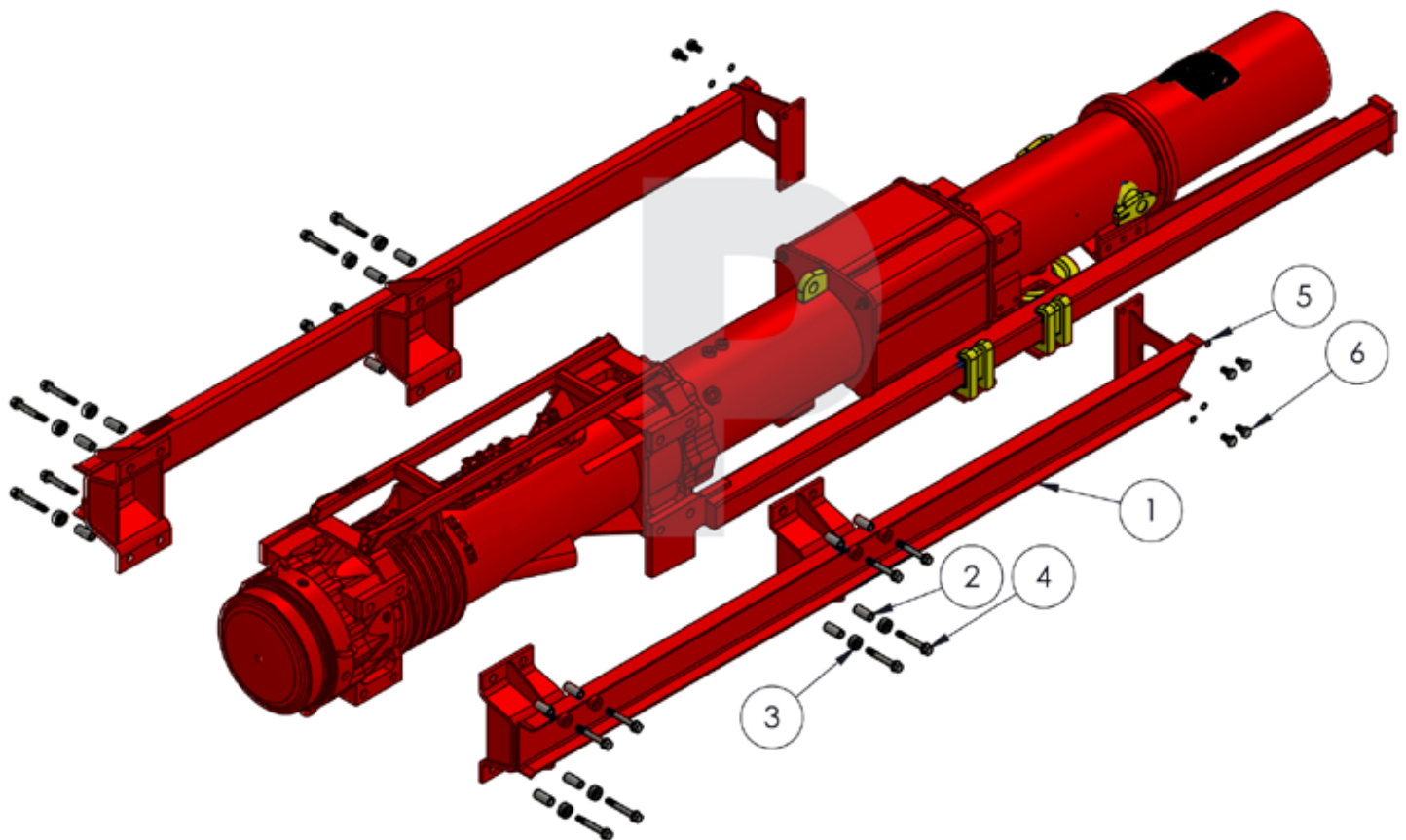
*each part number links to web site part

ITEM NO.	PART NUMBER	DESCRIPTION	QTY.
1	95195A	DOWEL PIN	16
2	20174	M24 X 165 HEX BOLT	16
3	39991	SPACER	16
4	203130	24-3.0 X 45 HEX HEAD CAPSCREW	8
5	203131	24MM SCHNORR SAFETY WASHER	8

**D30 U-32 X 8 LEAD GUIDING
Assembly**


*each part number links to web site part

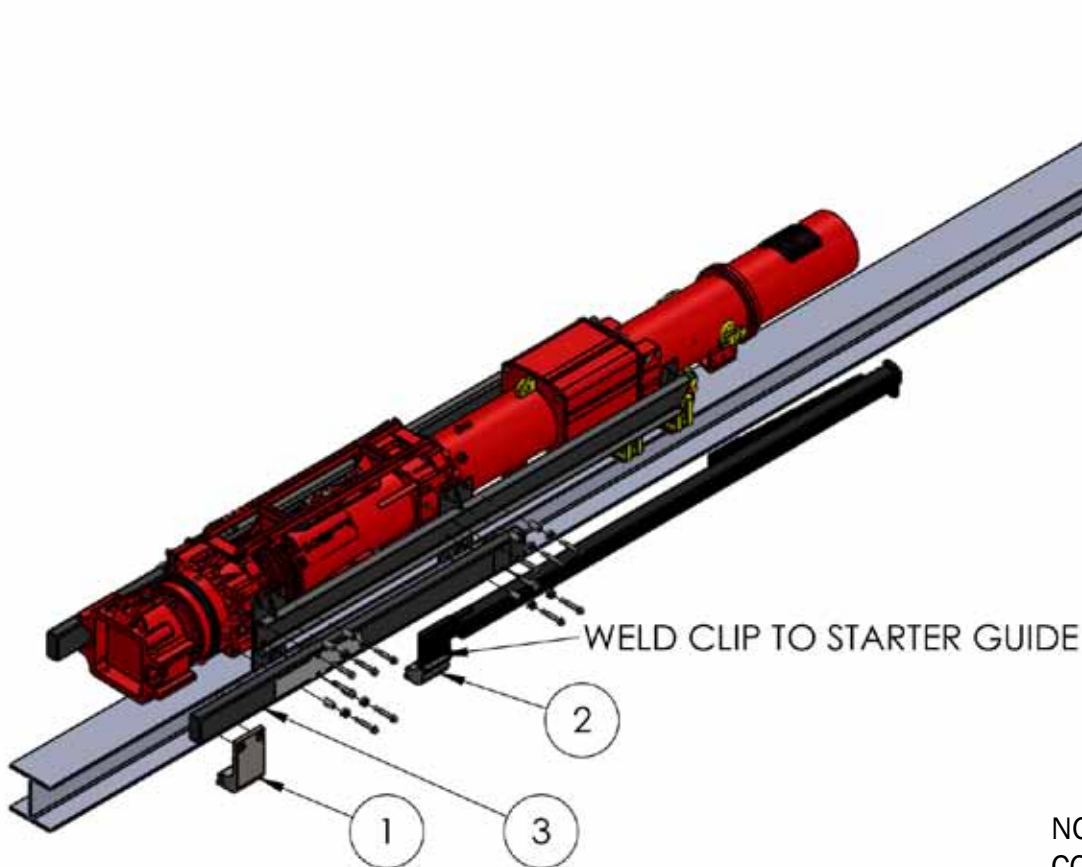
ITEM NO.	PART NUMBER	DESCRIPTION	QTY.
1	204204	U-32 X 8 GUIDING	1
2	95195A	DOWEL PIN	16
3	39991	SPACER	16
4	20174	M24 X 165 HEX BOLT	16
5	203131	24MM SCHNORR SAFETY WASHER	8
6	203130	24-3.0 X 45 HEX HEAD CAPSCREW	8

**D30 U-42 X 8 LEAD GUIDING
Assembly**


*each part number links to web site part

ITEM NO.	PART NUMBER	DESCRIPTION	QTY.
1	204205	U-42 LEAD GUIDING SET	1
2	95195A	DOWEL PIN	16
3	39991	SPACER	16
4	20174	M24 X 165 HEX BOLT	16
5	203131	24MM SCHNORR SAFETY WASHER	8
6	203130	24-3.0 X 45 HEX HEAD CAPSCREW	8

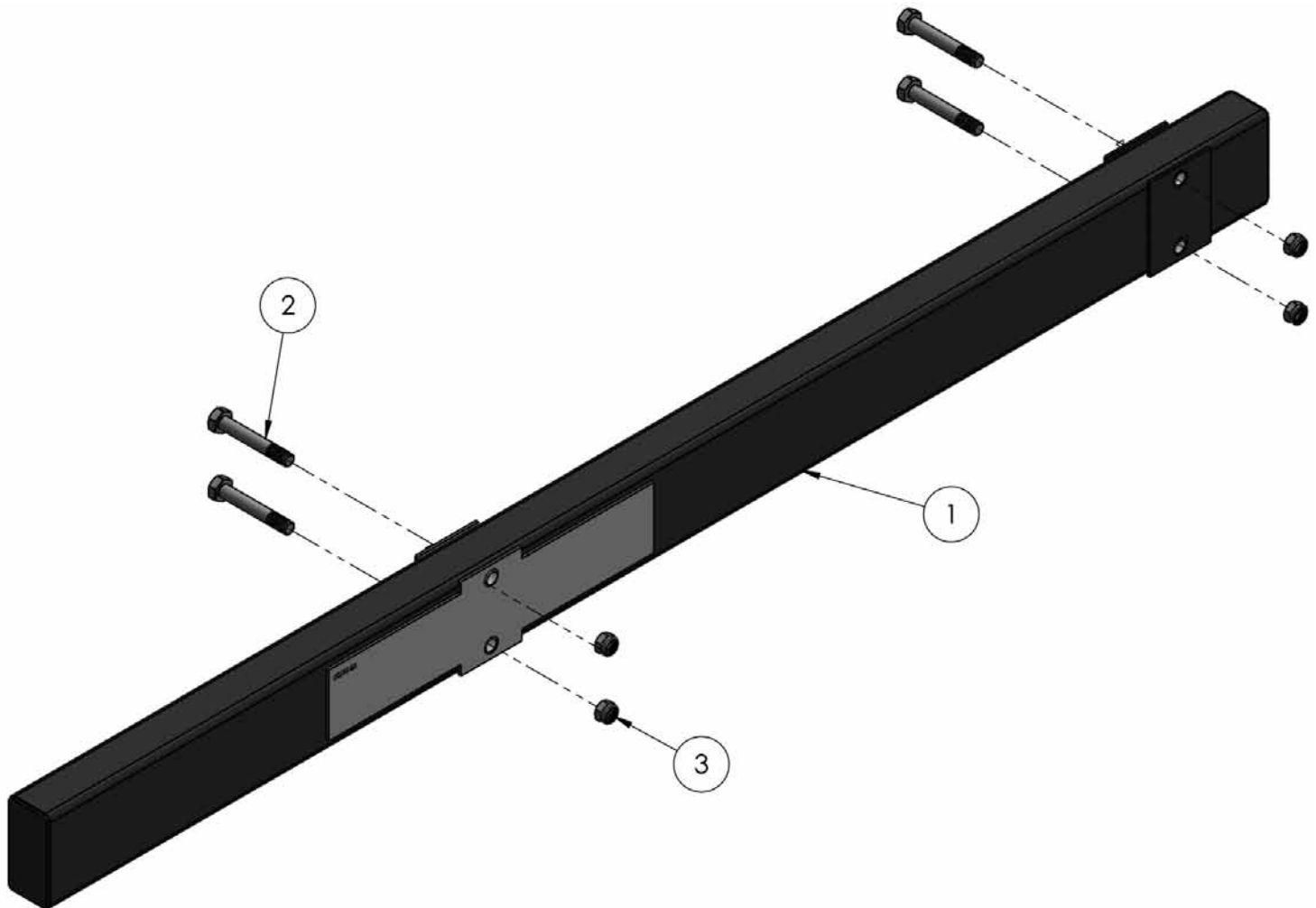
D25/30 HP Beam Guide Clip Assembly



NOTE:
CONTACT PILECO FOR WELD
PROCEDURE OF GUIDE CLIP

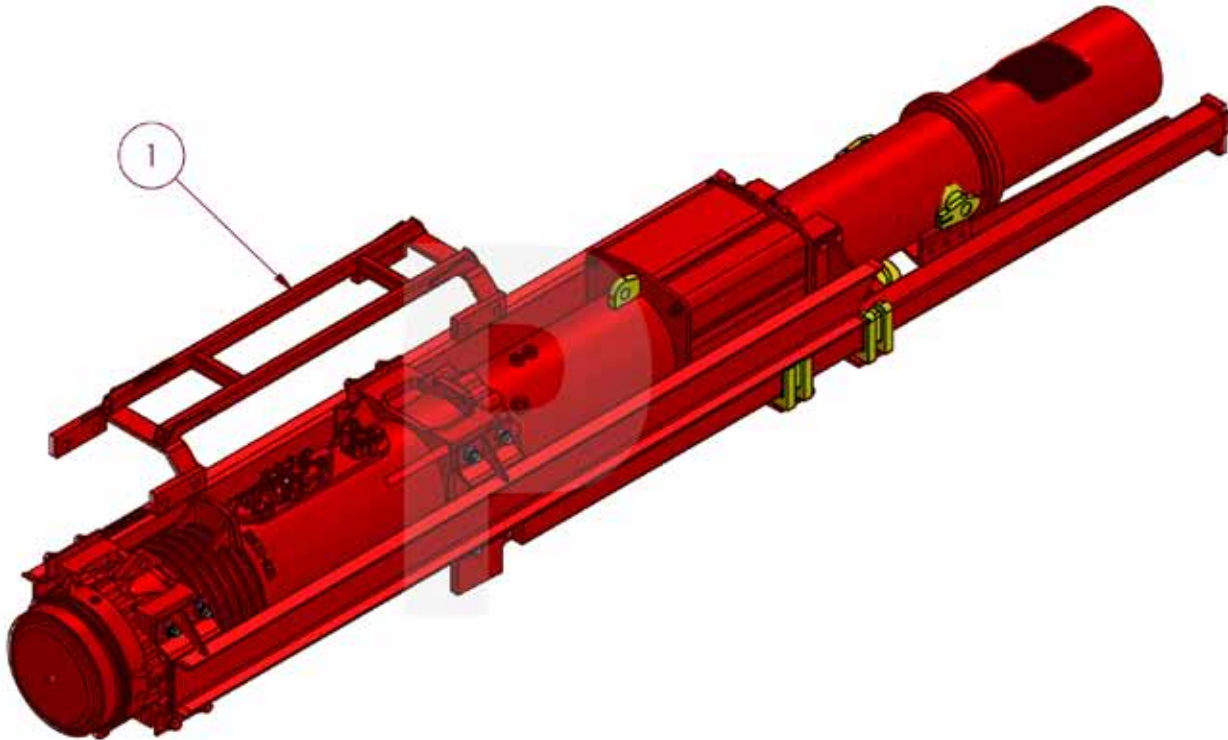
ITEM NO.	PART NUMBER	DESCRIPTION	QTY.	WEIGHT
1	8001031	D25/30 14 X 89 GUIDE CLIP	2	246
2	8001032	14 X89 GUIDE CLIP D25/30 UPPER	2	160
3	30313-01	8" GUIDE EXT FOR HELMET	2	478

8" Guide EXT for Helmet Assembly



ITEM NO.	PART NUMBER	DESCRIPTION	QTY.	WEIGHT
1	8001035	8 X 4 X 1/4 RECTANGLE TUBE	1	229
2	8000602	24MM-3.0 X 160 HEX HEAD CAP SCREW 8.8	4	8
3	203103	24-3.00 NYLON INSERT LOCKNUT	4	2

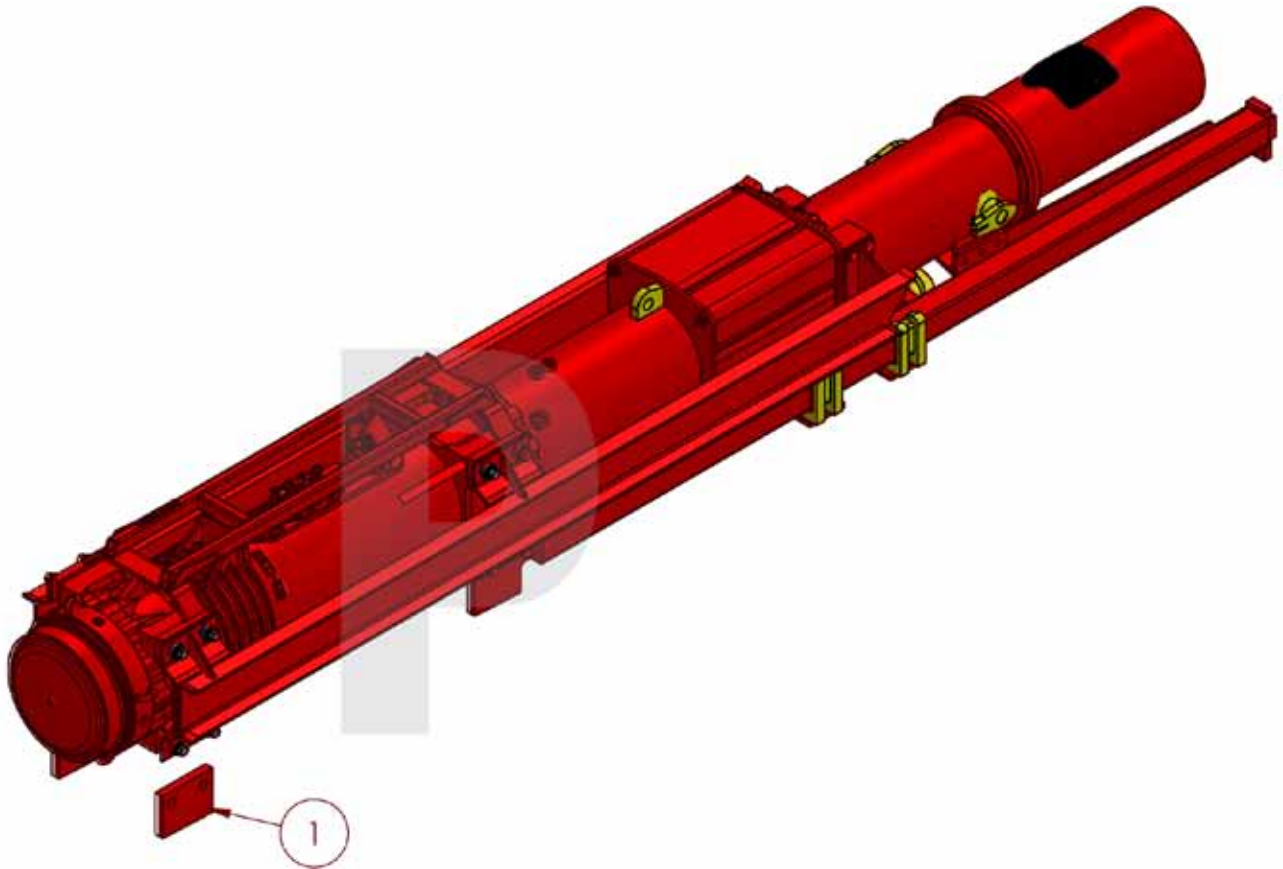
Pump Guard



*each part number links to web site part

ITEM NO.	PART NUMBER	DESCRIPTION	QTY.
1	204201	D22/25/30 PUMP GUARD	1

Block Stand



*each part number links to web site part

ITEM NO.	PART NUMBER	DESCRIPTION	QTY.
1	204202	BLOCK STAND	1