

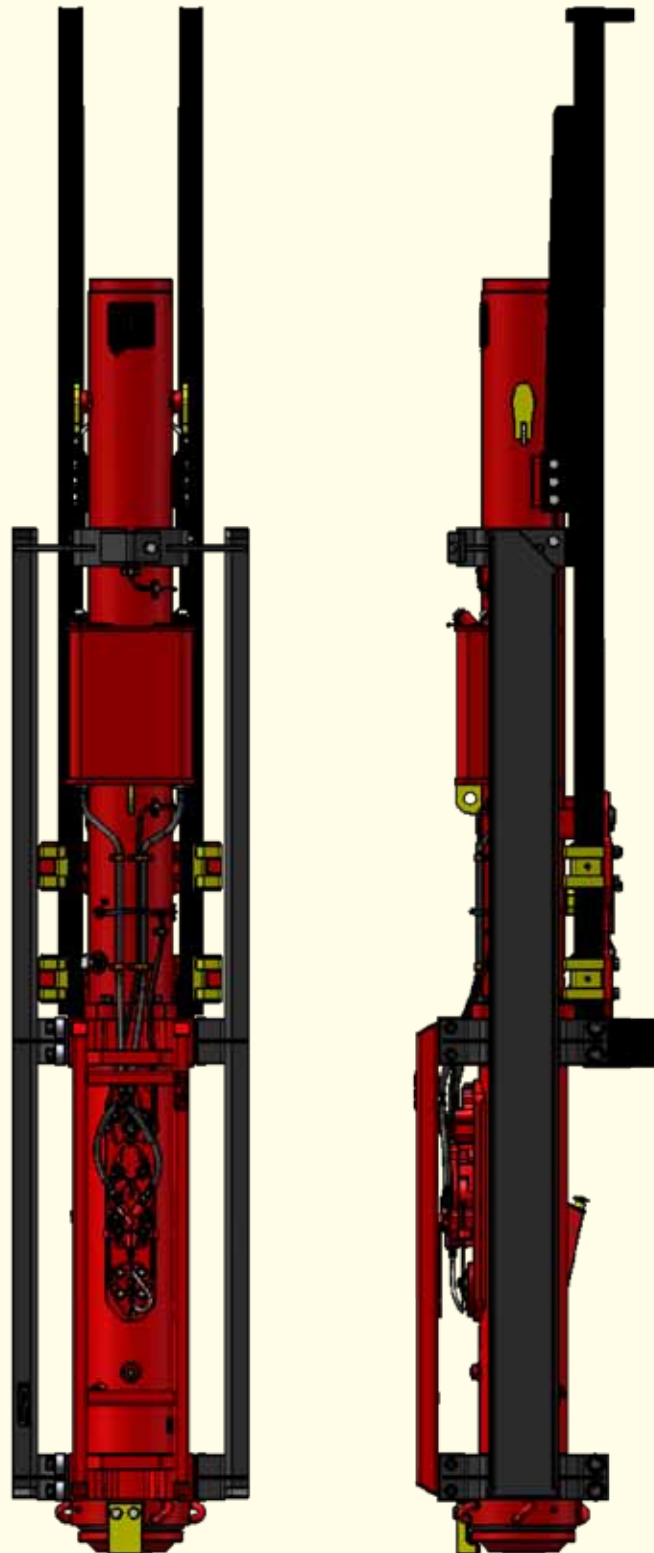


PILECO INC.

Parts Manual

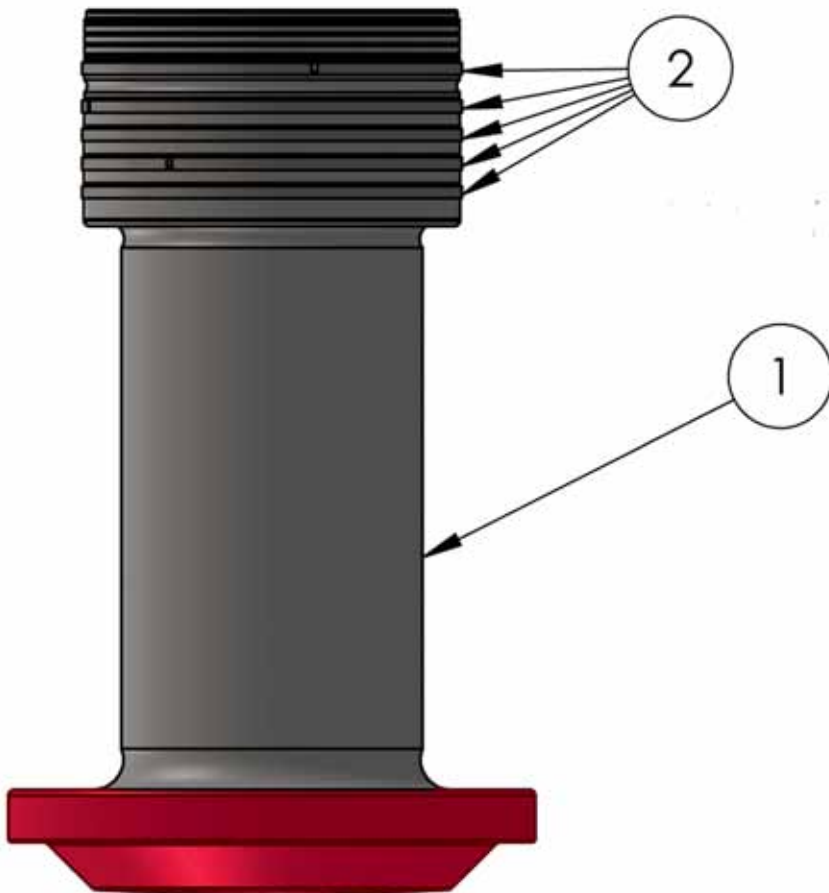
Diesel Pile Hammer D8-52

Parts Manual



Index Page

Impact Block	page #3
Striking Weight Piston	page #4
Lower Cylinder Complete	page #5
Lube Pump	page #7-8
Lube Pump Cylinder Complete	page #9
Pressure Valve	page #10
Piston Complete	page #11
Manual Variable Delivery Fuel Pump	page #13-17
Pump Element 14mm	page #18
Stop Valve Complete	page #19
Suction Valve Complete	page #20
Check Non Return Valve	page #21
Hydraulic Variable Delivery Fuel Pump	page #23-24
Fuel Pump Control	page #25
Pigtail Installment	page #26
Fuel Injection Valve	page #27-28
Threaded Pipe Joint Complete	page #29
Fuel Injection Device	page #30
Fuel Tube Complete	page #31
Upper Cylinder Complete	page #32-33
Filter Elbow Complete	page #34
Lube Lines w/Connector	page #35
Fuel Line—Breather Line	page #36
Manual Starting Device—Trip	page #37-40
Hydraulic Push Start	page #41-43
Hydraulic Starting Device—Trip	page #44-45
Hydraulic Cylinder Complete	page #46
Hydraulic Cylinder Assembly	page #47
Hydraulic Cylinder Ring Kit	page #48
Counterbalance Valve	page #49
Guide Gibs and Starter Guide	page #50-51
Guiding Assembly Hardware Kit	page #52
U-21 X 8 Lead Guiding Assembly	page #53
U-26 X 8 Lead Guiding Assembly	page #54
H-Beam Guiding for 12x53	page #55-56
Transportation Protection	page #58
Exhaust Cover Complete	page #59
Tool Box	page #60-61

**Impact Block
Complete**


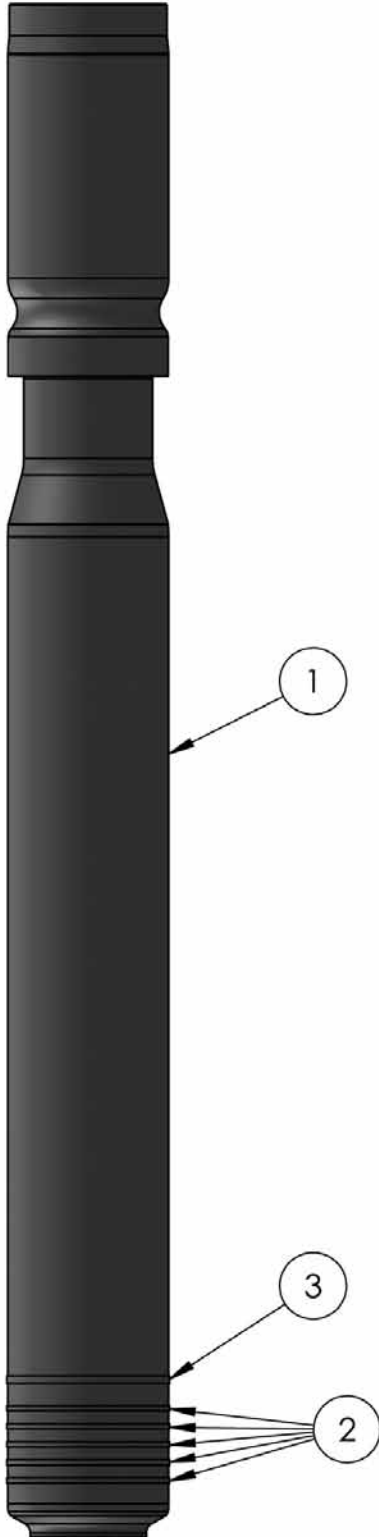
Rotate Rings 120° as stacked

**each part number links to web site part*

ITEM NO.	PART NUMBER	DESCRIPTION	QTY.
1	63864	IMPACT BLOCK	1
2	63469	PISTON RING	5

PILECO, Inc.

office (936)494-4200 • 1-800-409-0018 • fax (936)494-4517
www.Pileco.com • 3321 E Davis St • Conroe, TX 77301

Striking Weight (Piston)
Complete


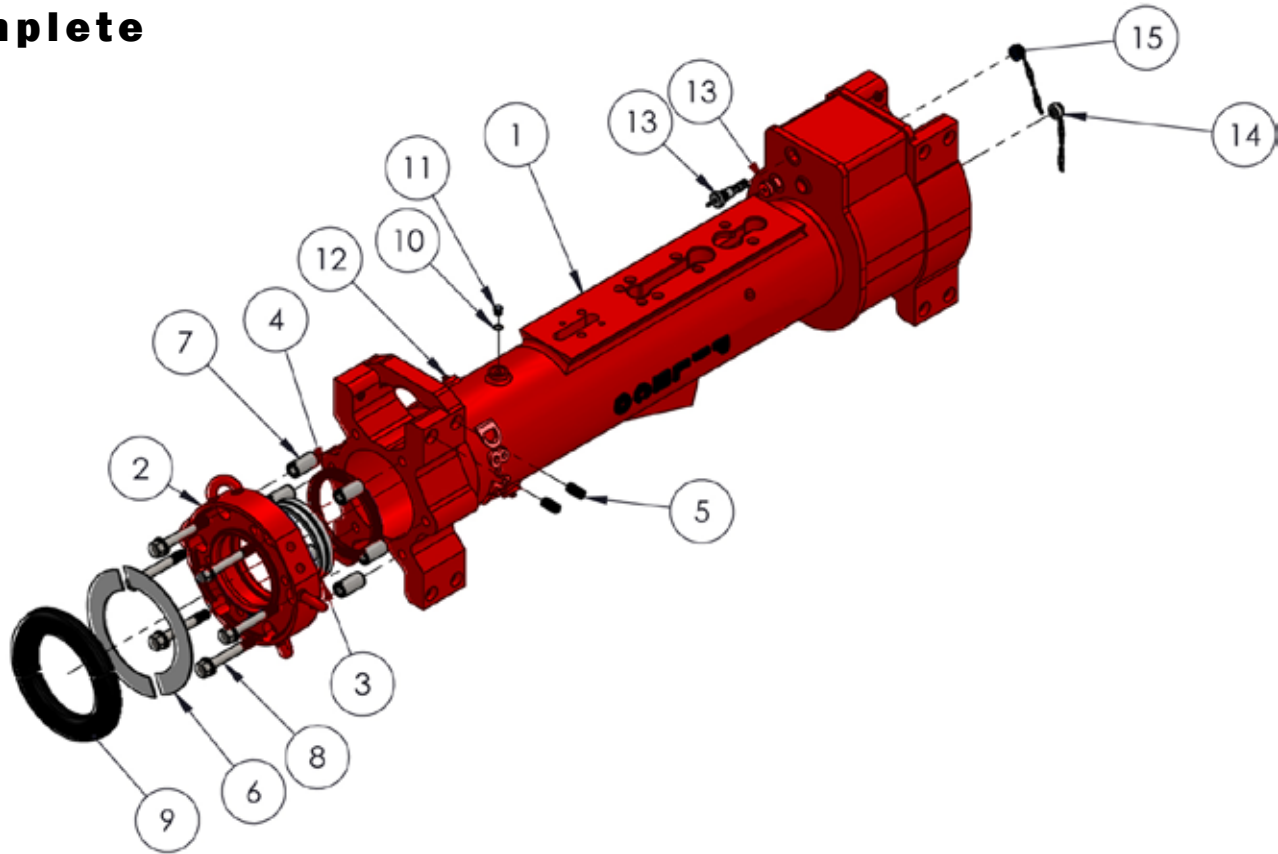
**each part number links to web site part*

ITEM NO.	PART NUMBER	DESCRIPTION	QTY.
1	63846	STRIKING WEIGHT (PISTON)	1
2	63469	PISTON RING	5
3	63470	CATCH PISTON RING	1

PILECO, Inc.

office (936)494-4200 • 1-800-409-0018 • fax (936)494-4517
 www.Pileco.com • 3321 E Davis St • Conroe, TX 77301

Lower Cylinder Complete



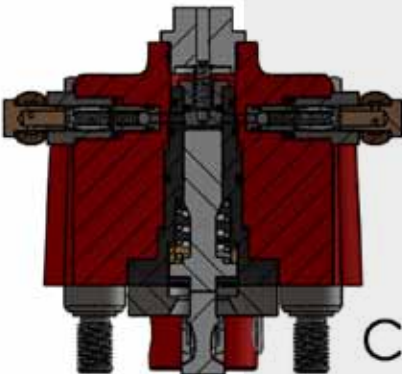
*each part number links to web site part

ITEM NO.	PART NUMBER	DESCRIPTION	QTY.
1	66968	LOWER CYLINDER PART	1
2	64417	D8 CYLINDER ENDRING	1
3	63477	D8 INNER ENDRING	1
4	63478	D6/8 INNER DAMPING RING	1
5	95582	THREADED INSERT M24	16
6	201001	SPACER	1
7	95195	40 X 75 DOWEL PIN	6
8	20174	M24 X 165 HEX BOLT	6
9	63471	RUBBER RING	1
10	90002	SEALING RING 18 X 22	1
11	91460	M18 X 1.5 DIN 910 HEX PLUG	1
12	90791	GREASE NIPPLE M10 X 1	2
13	64403	FILTER ELBOW	2
14	17186	PLUG SCREW (DIESEL) COMPLETE	1
15	17188	PLUG SCREW(OIL)COMPLETE	1

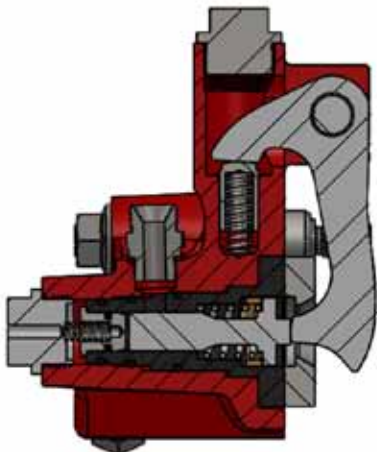
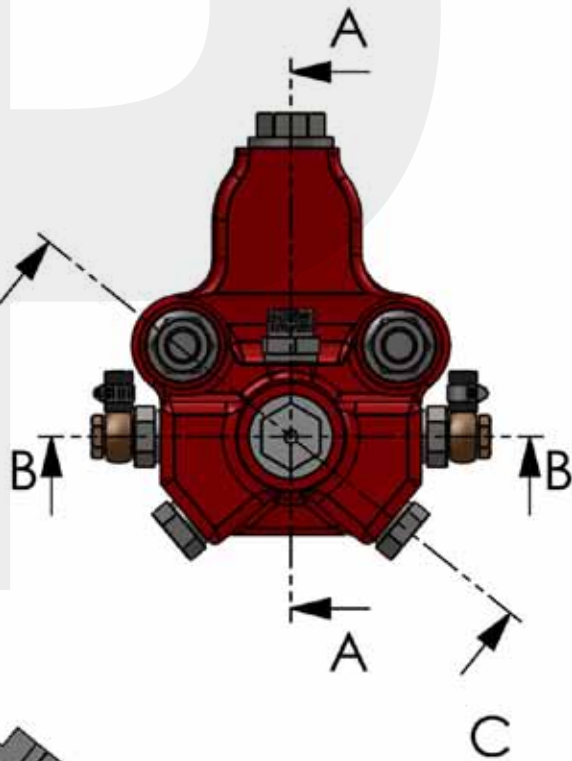
PILECO, Inc.

office (936)494-4200 • 1-800-409-0018 • fax (936)494-4517
 www.Pileco.com • 3321 E Davis St • Conroe, TX 77301

Lube Pump

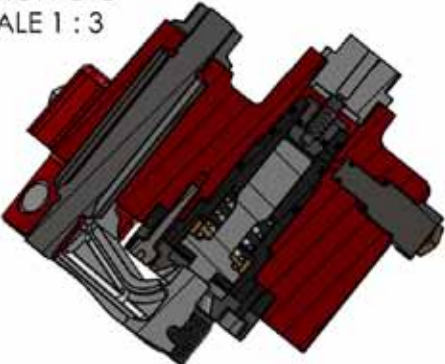


SECTION B-B
SCALE 1 : 3

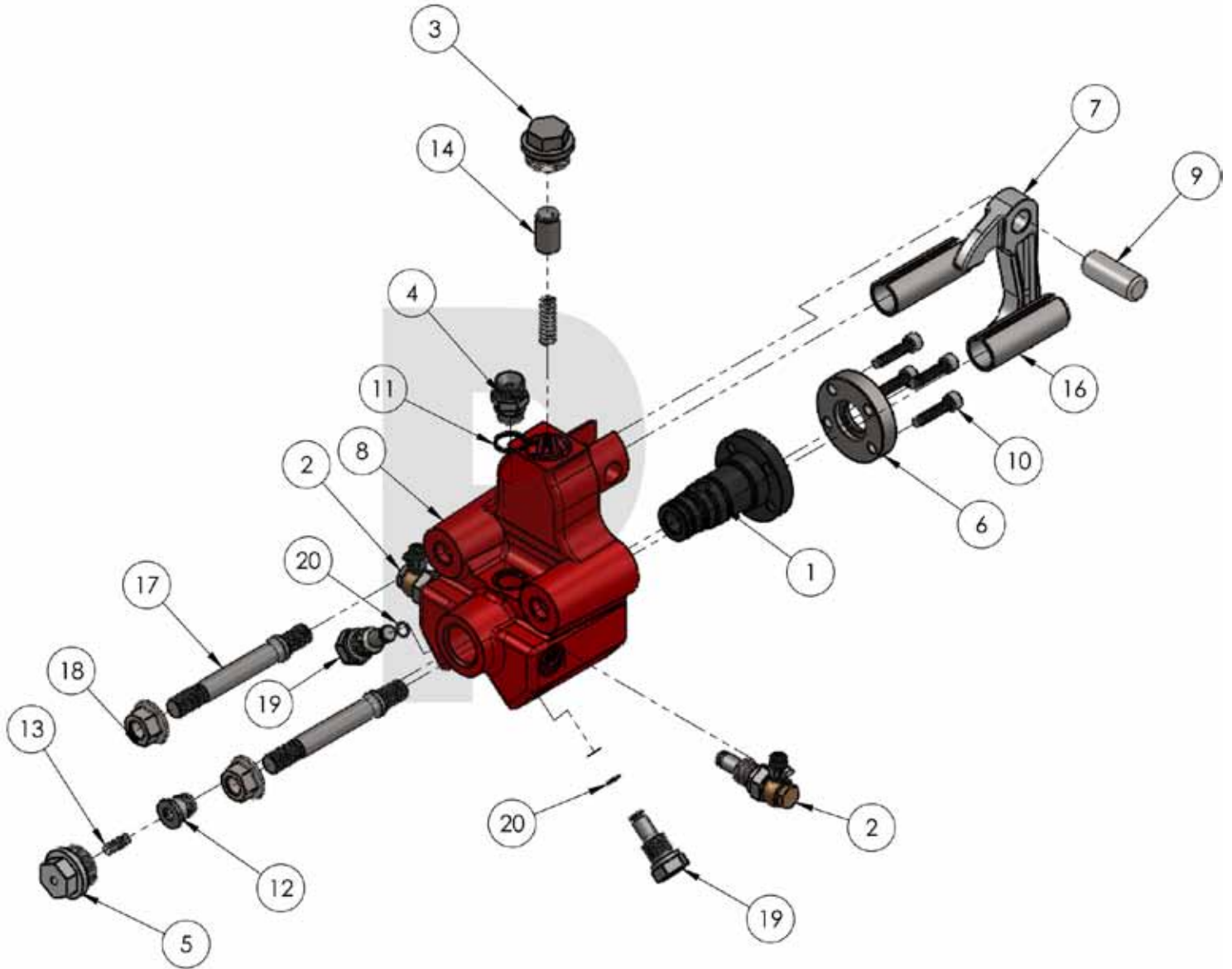


SECTION A-A
SCALE 1 : 3

SECTION C-C
SCALE 1 : 3



**Lube Pump
Complete**



Lube Pump Complete continued.....

**Lube Pump
Complete**

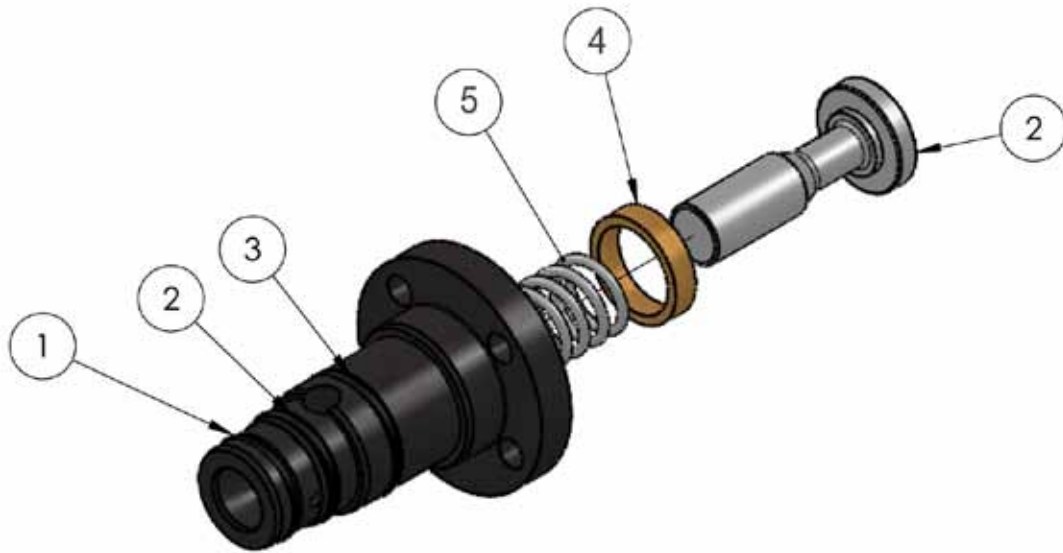
*each part number links to web site part

ITEM NO.	PART NUMBER	DESCRIPTION	QTY.
1	113373	CYLINDER COMPLETE	1
2	108317	PRESSURE VALVE COMPLETE	2
3	91976	PLUG SCREW	1
4	67290	ADAPTER	1
5	108311	PLUG SCREW	1
6	67282	WASHER	1
7	22081	LUBE PUMP LEVER	1
8	108315	LUBE PUMP BODY	1
9	22082	PUMP LEVER PIN	1
10	90937	8-1.25MM X 35 SOCKET HEAD CAPSCREW	4
11	92031	SEALING RING A20 X 24	1
12	113228	PISTON COMPLETE	1
13	190479	PRESSURE SPRING 7.3 X 29.4 X 1.2	1
14	22090	SLEEVE	1
15	22089	PRESSURE SPRING 10 X 43 X 2	1
16	94315	DOWEL PIN 28 X 80 DIN 7346	2
17	20189	PUMP STUD M16	2
18	94722	M16 WASHER NUT	2
19	108316	PLUG SCREW	2
20	97855	O RING 8 X 2	2

PILECO, Inc.

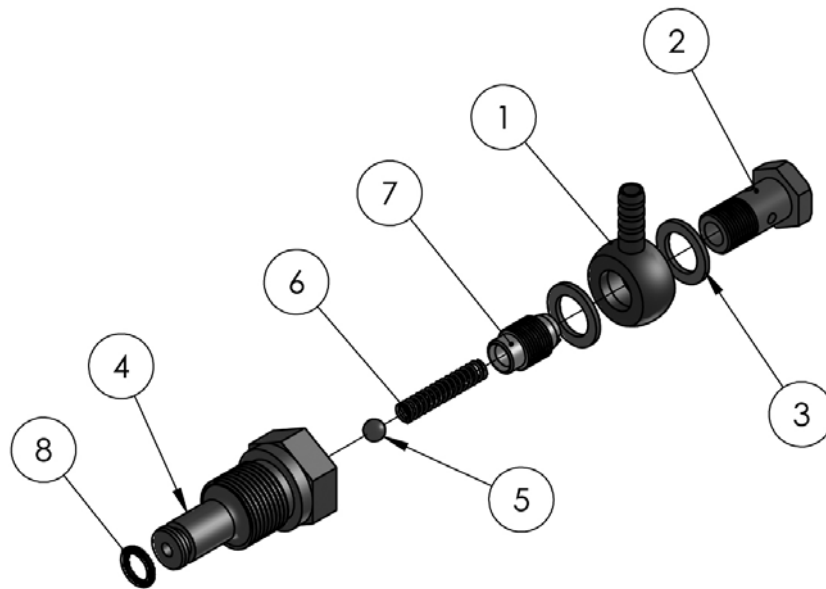
office (936)494-4200 • 1-800-409-0018 • fax (936)494-4517
www.Pileco.com • 3321 E Davis St • Conroe, TX 77301

Lube Pump Cylinder Complete



*each part number links to web site part

ITEM NO.	PART NUMBER	DESCRIPTION	QTY.
1	205020	O RING 24 X 3	1
2	91357	O RING 26 X 3	1
3	92952	O RING 30 X 3	1
4	67283	RING	1
5	97325	PRESSURE SPRING 22 X 52 X 2, 8	1

**Pressure Valve
Complete**


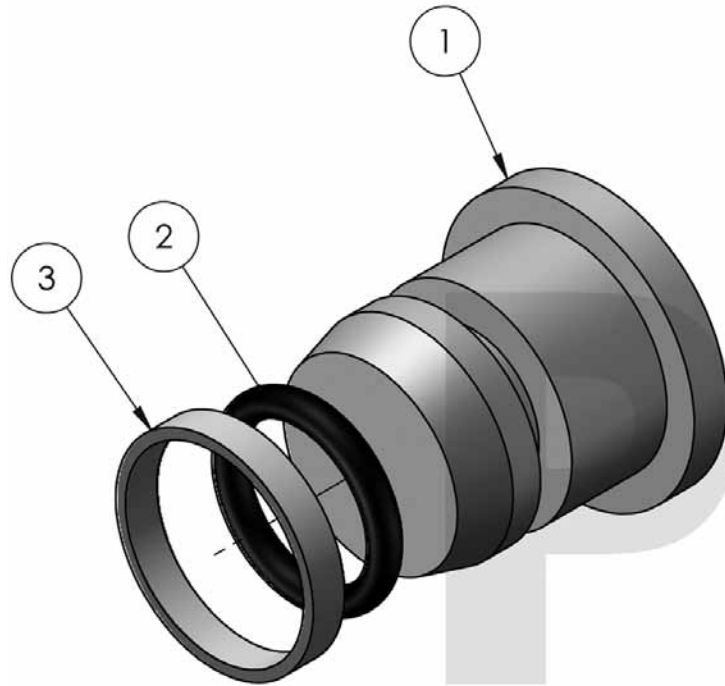
*each part number links to web site part

ITEM NO.	PART NUMBER	DESCRIPTION	QTY.
1	97949	RING NIPPLE	1
2	97948	HOLLOW SCREW A6 DIN 7623-6.8	1
3	91417	SEALING RING A12 X 15.5 DIN 7603-CU	2
4	108319	ADAPTER	1
5	90307	BALL 6MM DIN 5401	1
6	190005	PRESSURE SPRING 5 X 36 X 0.8	1
7	104679	PLUG SCREW	1
8	97855	8 X 2 O-RING	1

**SOLD
TOGETHER**

PILECO, Inc.

office (936)494-4200 • 1-800-409-0018 • fax (936)494-4517
www.Pileco.com • 3321 E Davis St • Conroe, TX 77301

**Piston
Complete**


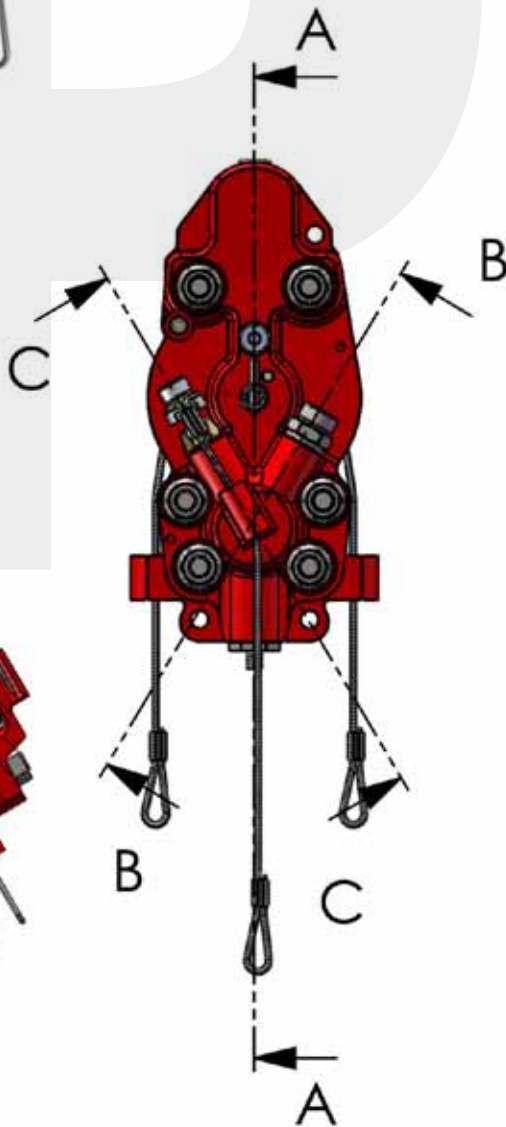
**each part number links to web site part*

ITEM NO.	PART NUMBER	DESCRIPTION	QTY.
1	201003	PISTON	1
2	94658	O RING	1
3	94658	SLIP RING	1

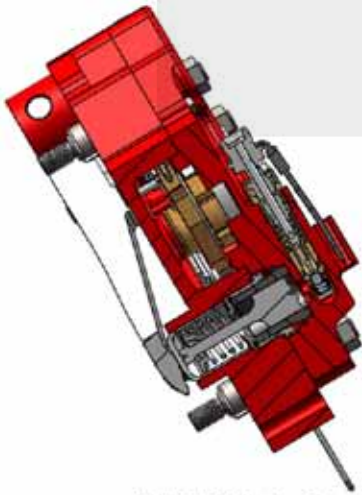
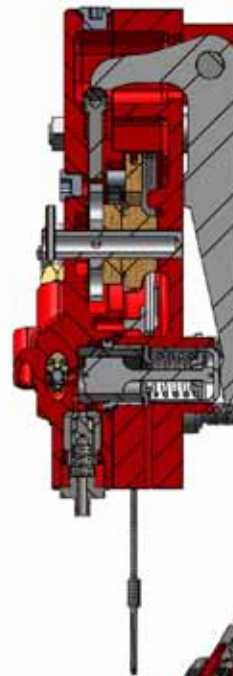
PILECO, Inc.

office (936)494-4200 • 1-800-409-0018 • fax (936)494-4517
 www.Pileco.com • 3321 E Davis St • Conroe, TX 77301

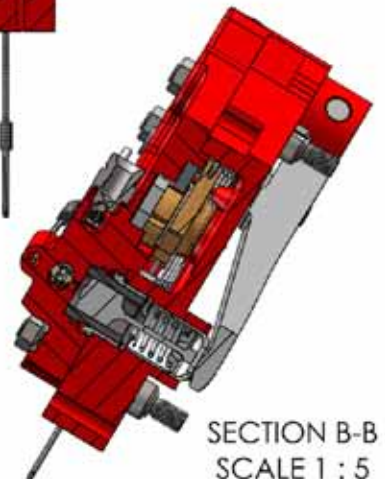
Manual Delivery Fuel Pump



SECTION A-A
SCALE 1 : 5

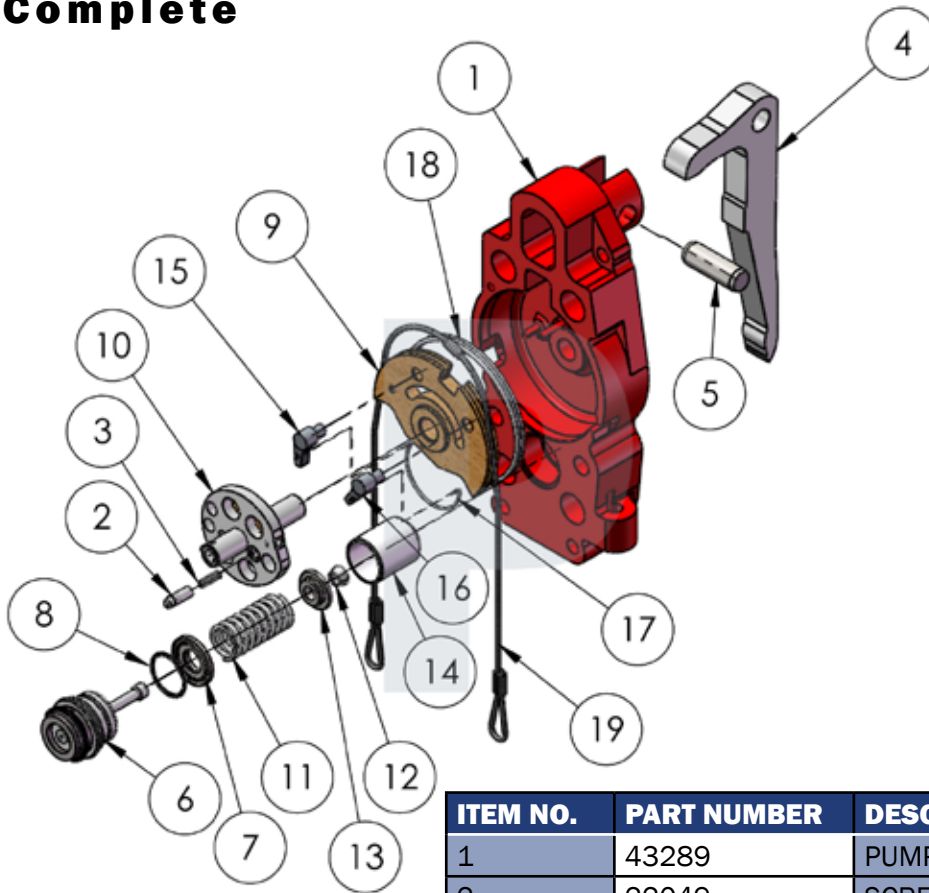


SECTION C-C
SCALE 1 : 5



SECTION B-B
SCALE 1 : 5

Variable Delivery Fuel Pump Complete



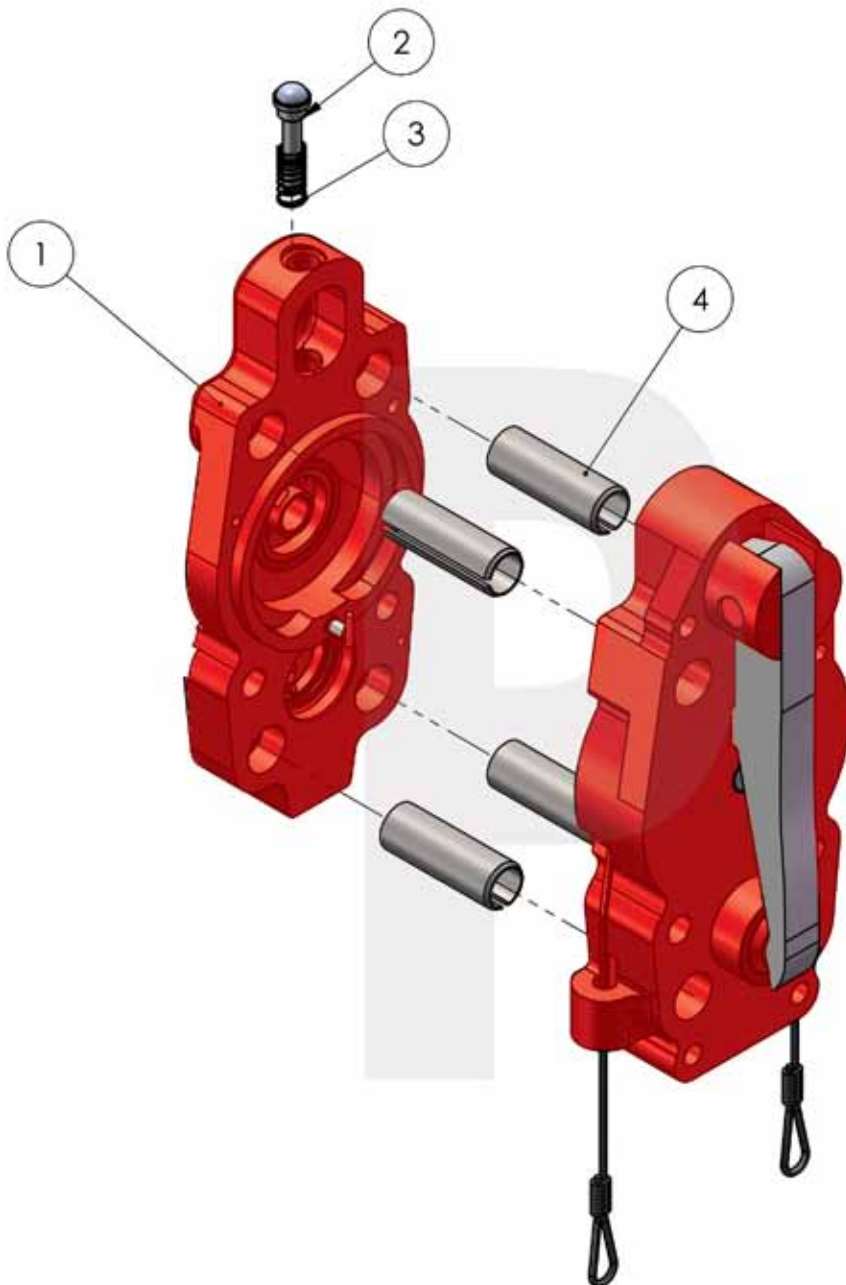
*each part number links to web site part

ITEM NO.	PART NUMBER	DESCRIPTION	QTY.
1	43289	PUMP BODY	1
2	22049	SCREEN PIN	1
3	22044	PRESSURE SPRING 5.5 X 20 X 1.2	1
4	41869	PUMP LEVER	1
5	22043	PUMP LEVER PIN	1
6	22903	D8 PUMP ELEMENT 14MM	1
7	43994	HOLDER RING	1
8	92996	ROUND SEALING RING 35 X 2.5	1
9	22040	ROPE DISC	1
10	43308	SWITCH SHAFT	1
11	22060	PRESSURE SPRING 28 X 67.2 X 3.5	1
12	22059	CONICAL RING 2 PCS	1
13	22058	SPRING RETAINING COLLAR	1
14	43287	GUIDE SLEEVE	1
15	22051	CAM	1
16	22052	CAM	1
17	22245	SPRING	1
18	22062	SWIVEL SPRING	1
19	17546	REGULATION ROPE	1

PILECO, Inc.

office (936)494-4200 • 1-800-409-0018 • fax (936)494-4517
www.Pileco.com • 3321 E Davis St • Conroe, TX 77301

Variable Delivery Fuel Pump Complete

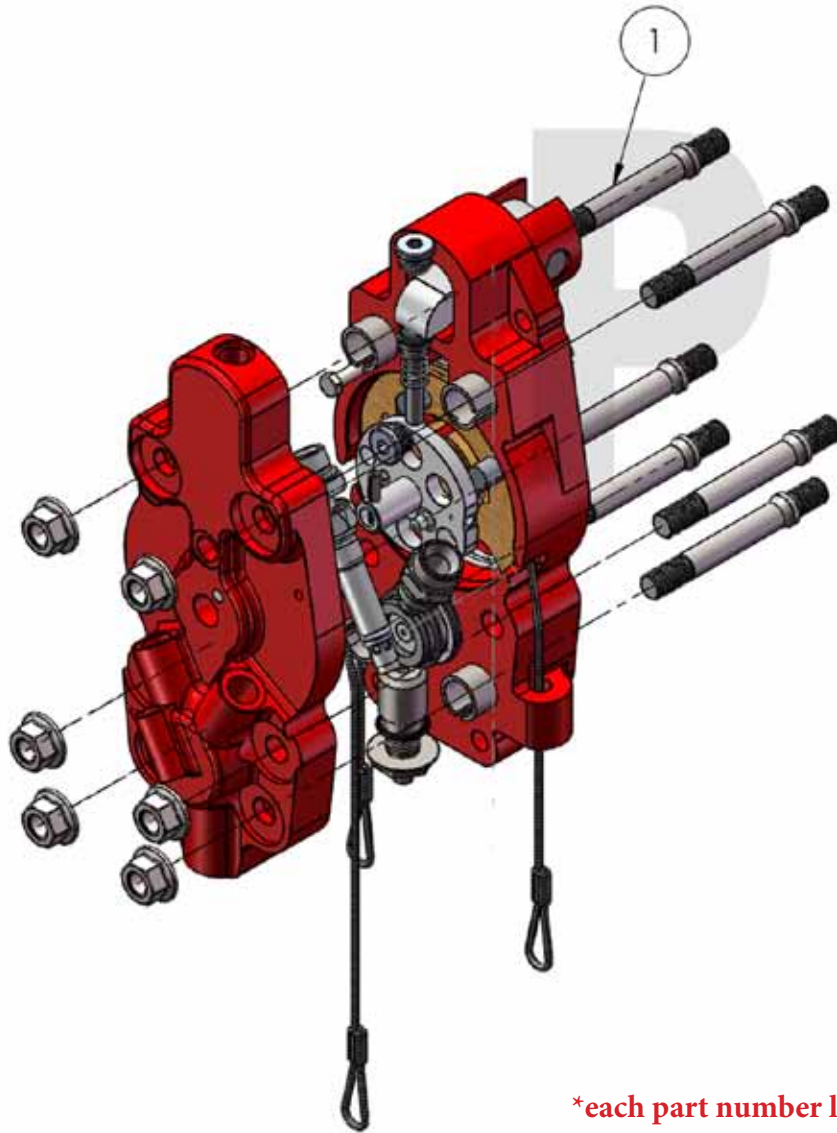


*each part number links to web site part

ITEM NO.	PART NUMBER	DESCRIPTION	QTY.
1	43291	PUMP COVER	1
2	62125	PRESSURE PIECE	1
3	22046	PRESSURE SPRING	1
4	94315	DOWEL PIN 28 X 80	4

PILECO, Inc.

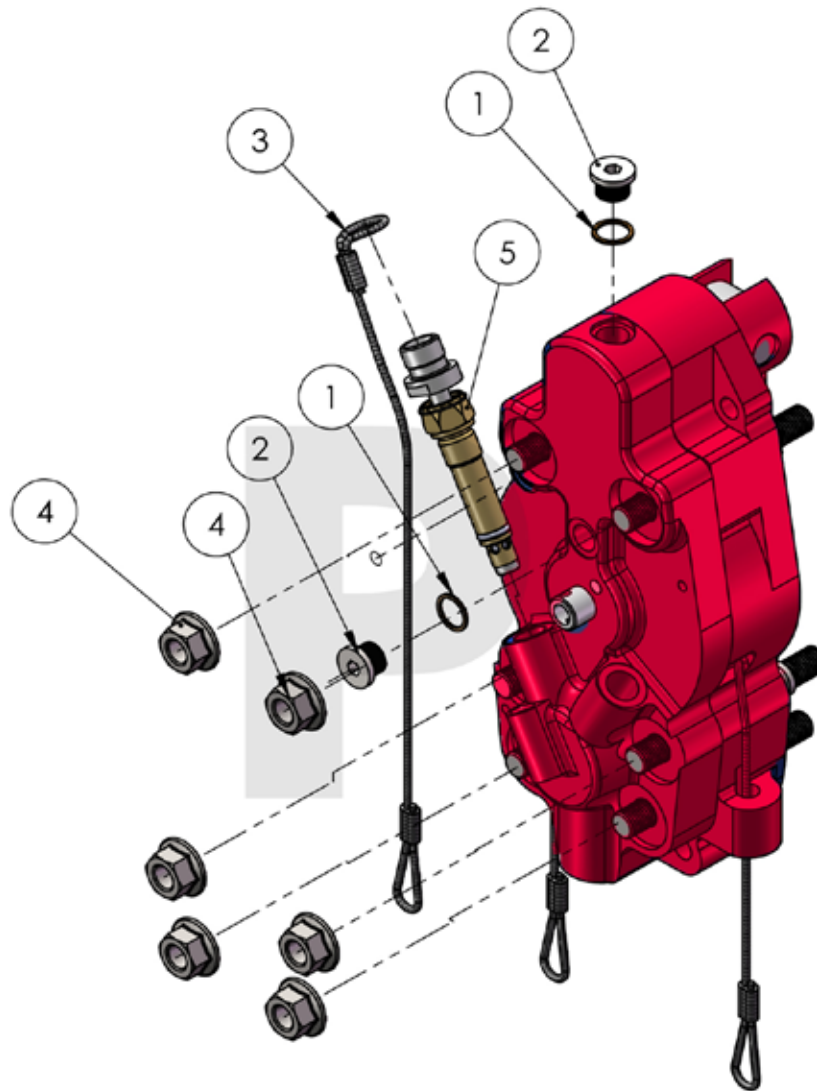
office (936)494-4200 • 1-800-409-0018 • fax (936)494-4517
 www.Pileco.com • 3321 E Davis St • Conroe, TX 77301

**Variable Delivery Fuel Pump
Complete**


*each part number links to web site part

ITEM NO.	PART NUMBER	DESCRIPTION	QTY.
1	20189	PUMP STUD M16	6

Variable Delivery Fuel Pump Complete

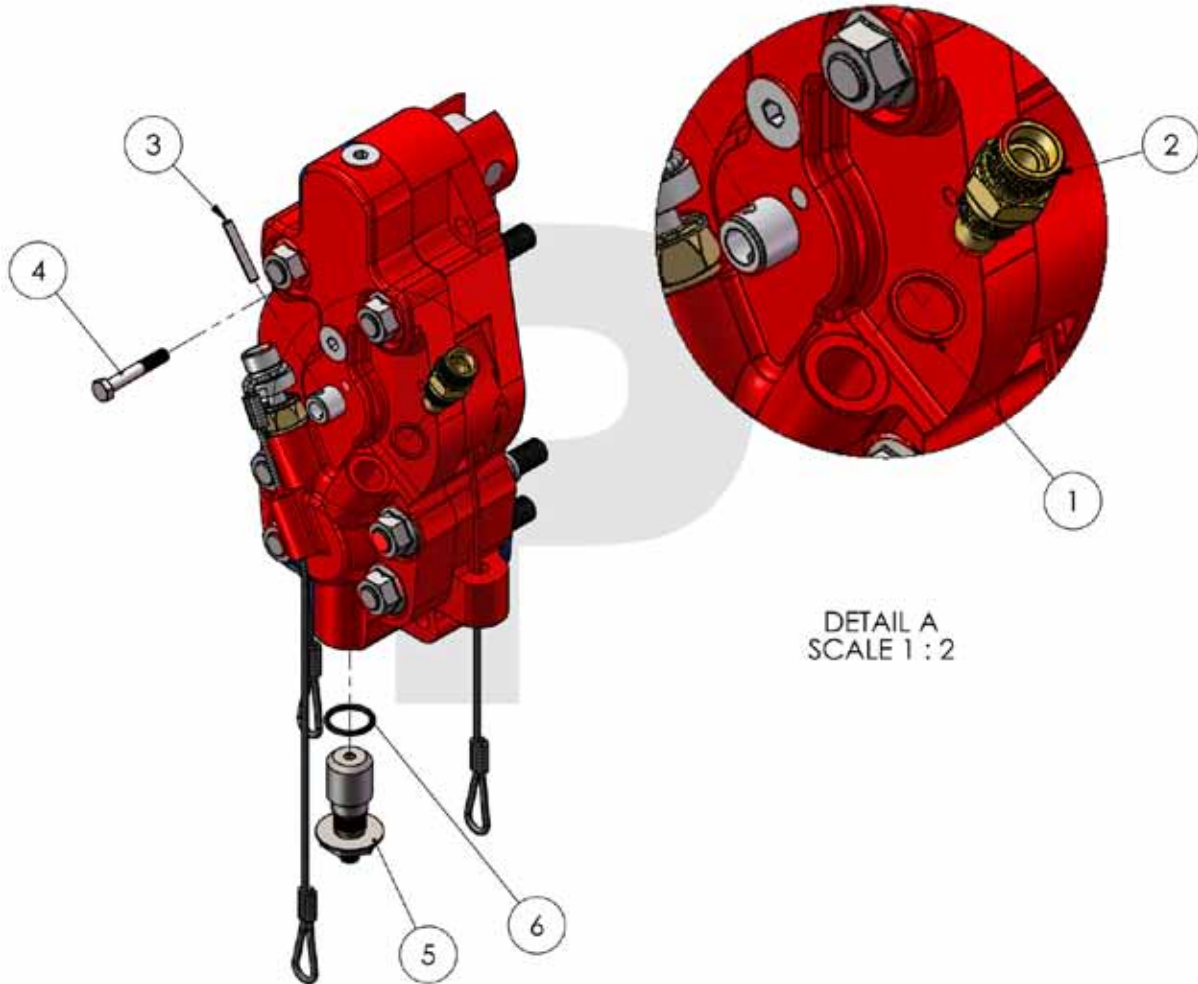


*each part number links to web site part

ITEM NO.	PART NUMBER	DESCRIPTION	QTY.
1	90002	SEALING RING A18 X 22	2
2	93055	PLUG SCREW M18 X 1.5	2
3	17546	REGULATING ROPE	1
4	94722	M16 WASHER NUT	6
5	41868	STOP VALVE COMPLETE	1

PILECO, Inc.

office (936)494-4200 • 1-800-409-0018 • fax (936)494-4517
 www.Pileco.com • 3321 E Davis St • Conroe, TX 77301

**Variable Delivery Fuel Pump
Complete**


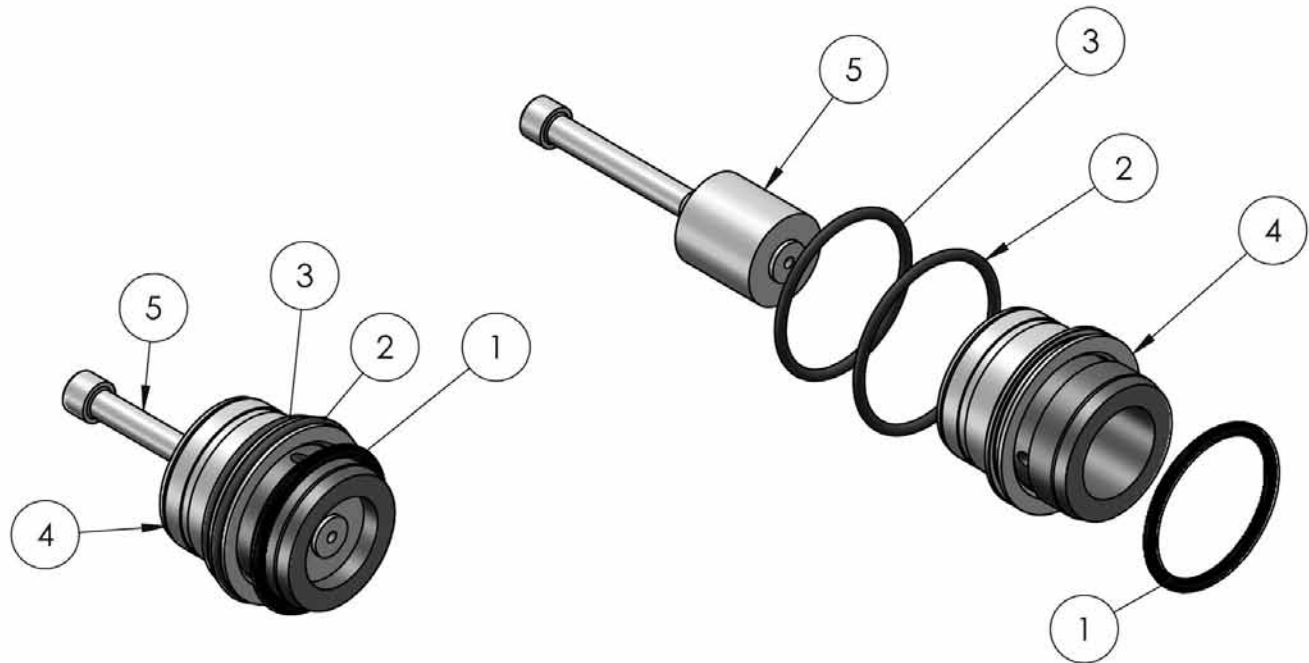
*each part number links to web site part

ITEM NO.	PART NUMBER	DESCRIPTION	QTY.
1	92031	SEALING RING A20 X 24	1
2	41863	SUCTION VALVE	1
3	90150	DOWEL PIN 6 X 40	1
4	93456	LOCKING SCREW M8 X 50	1
5	43296	CHECK NON-RETURN VALVE COMPLETE	1
6	91296	O-RING 22 X 3	1

PILECO, Inc.

office (936)494-4200 • 1-800-409-0018 • fax (936)494-4517
www.Pileco.com • 3321 E Davis St • Conroe, TX 77301

14MM Pump Element Complete



*each part number links to web site part

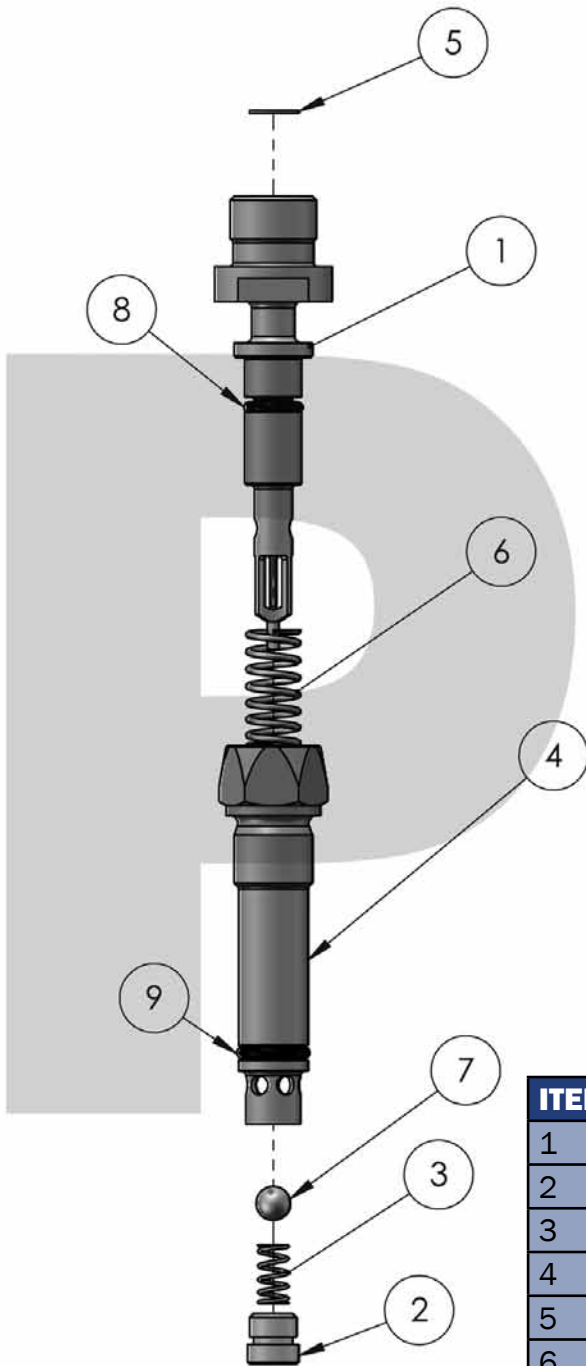
Sold as one complete unit!

ITEM NO.	PART NUMBER	DESCRIPTION	QTY.
1	95933	O-RING 42 X 3	1
2	91322	O-RING 44 X 3	1
3	91339	O-RING 40 X 2.5	1
4	22903	14MM ELEMENT BODY	1
5	22903	14MM ELEMENT PLUNGER	1

<
TOGETHER

PILECO, Inc.

office (936)494-4200 • 1-800-409-0018 • fax (936)494-4517
www.Pileco.com • 3321 E Davis St • Conroe, TX 77301

**Stop Valve
Complete**


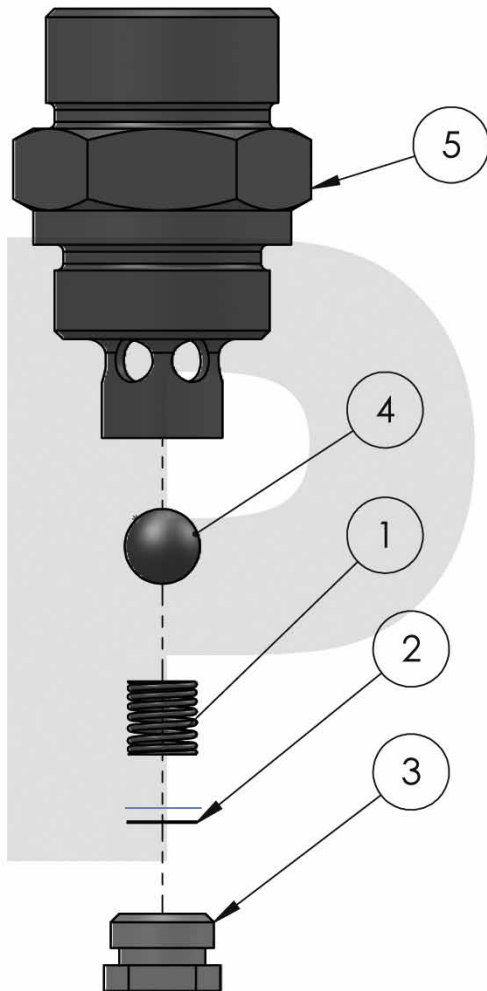
*each part number links to web site part

ITEM NO.	PART NUMBER	DESCRIPTION	QTY.
1	43138	VALVE PISTON	1
2	22021	THREADED PLUG	1
3	98929	PRESSURE SPRING	1
4	43130	VALVE SCREW	1
5	95768	CIRCLIP 20 X 1	1
6	43279	PRESSURE SPRING	1
7	98511	BALL 8.731MM	1
8	91894	O-RING 8 X 3	1
9	94316	O-RING 12 X 3	1

PILECO, Inc.

office (936)494-4200 • 1-800-409-0018 • fax (936)494-4517
 www.Pileco.com • 3321 E Davis St • Conroe, TX 77301

Suction Valve Complete



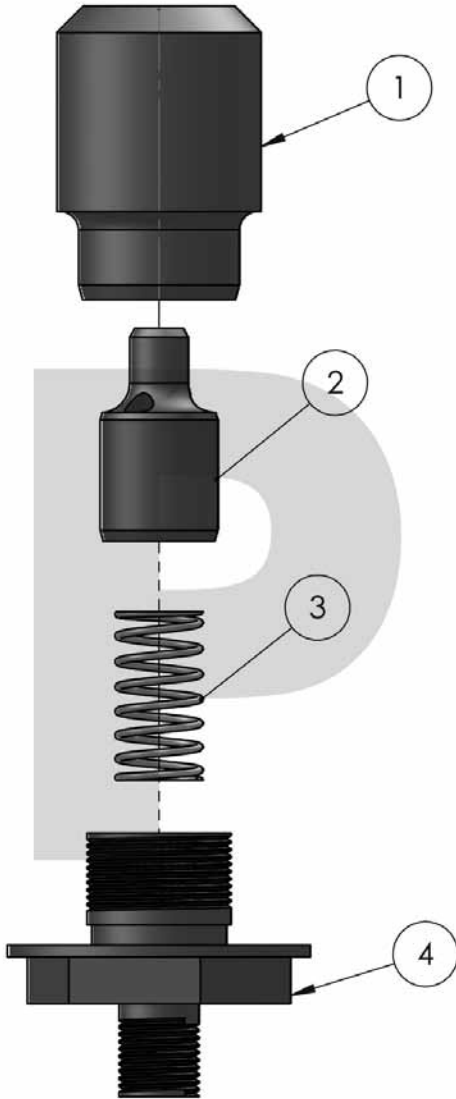
*each part number links to web site part

ITEM NO.	PART NUMBER	DESCRIPTION	QTY.
1	22022	PRESSURE SPRING 7.3 X 8 X 0.7	1
2	22023	WASHER	2
3	41862	THREADED PLUG	1
4	98511	BALL 8.731MM	1
5	41861	SLEEVE	1

PILECO, Inc.

office (936)494-4200 • 1-800-409-0018 • fax (936)494-4517
 www.Pileco.com • 3321 E Davis St • Conroe, TX 77301

Check Non-Return Valve Complete



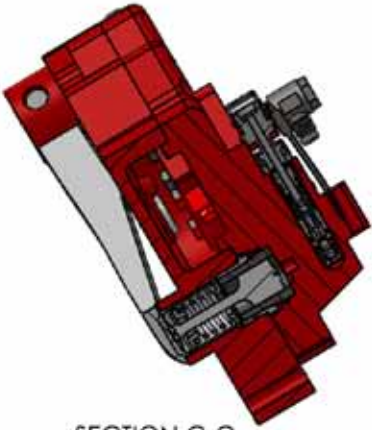
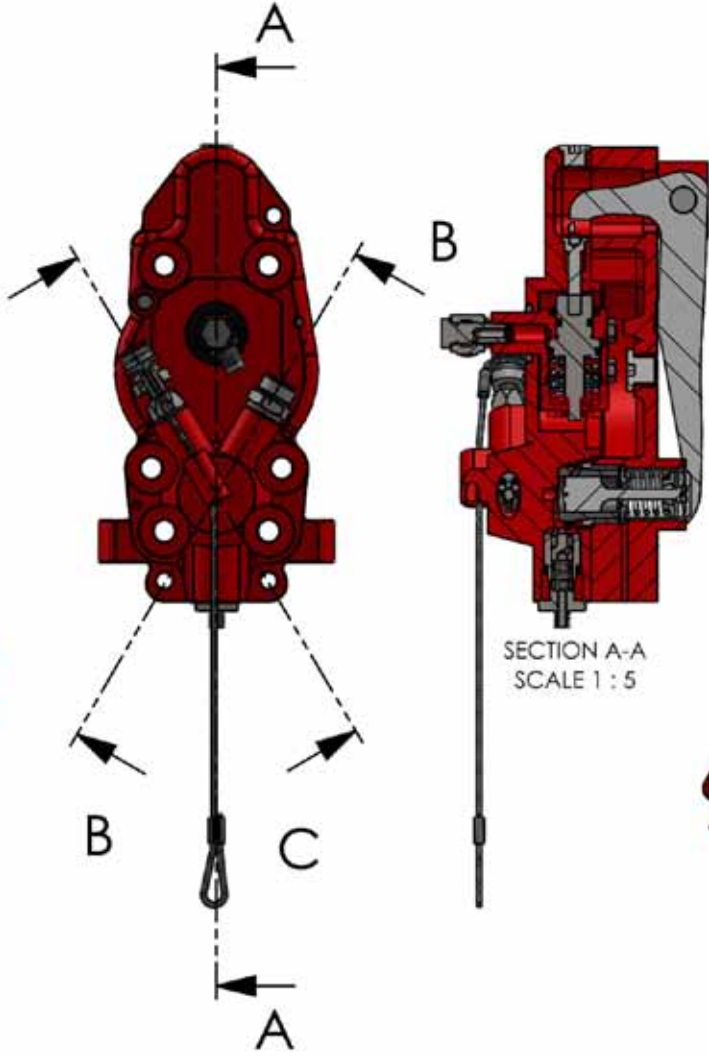
**each part number links to web site part*

ITEM NO.	PART NUMBER	DESCRIPTION	QTY.
1	43297	HOUSING	1
2	43299	VALVE PISTON	1
3	22034	PRESSURE SPRING	1
4	43298	RING TYPE NIPPLE	1

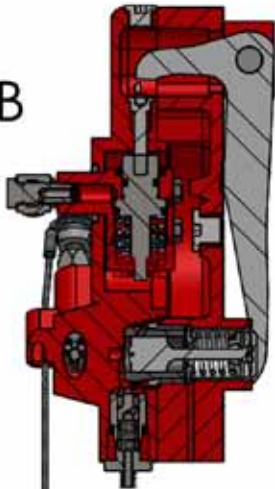
PILECO, Inc.

office (936)494-4200 • 1-800-409-0018 • fax (936)494-4517
 www.Pileco.com • 3321 E Davis St • Conroe, TX 77301

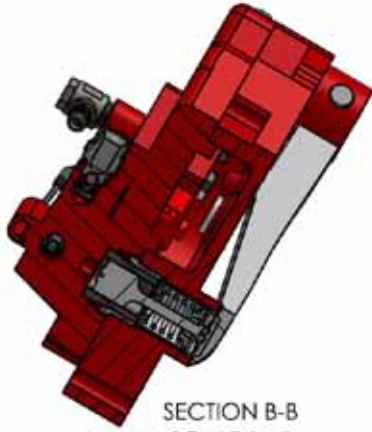
Hydraulic Delivery Fuel Pump



SECTION C-C
SCALE 1 : 5

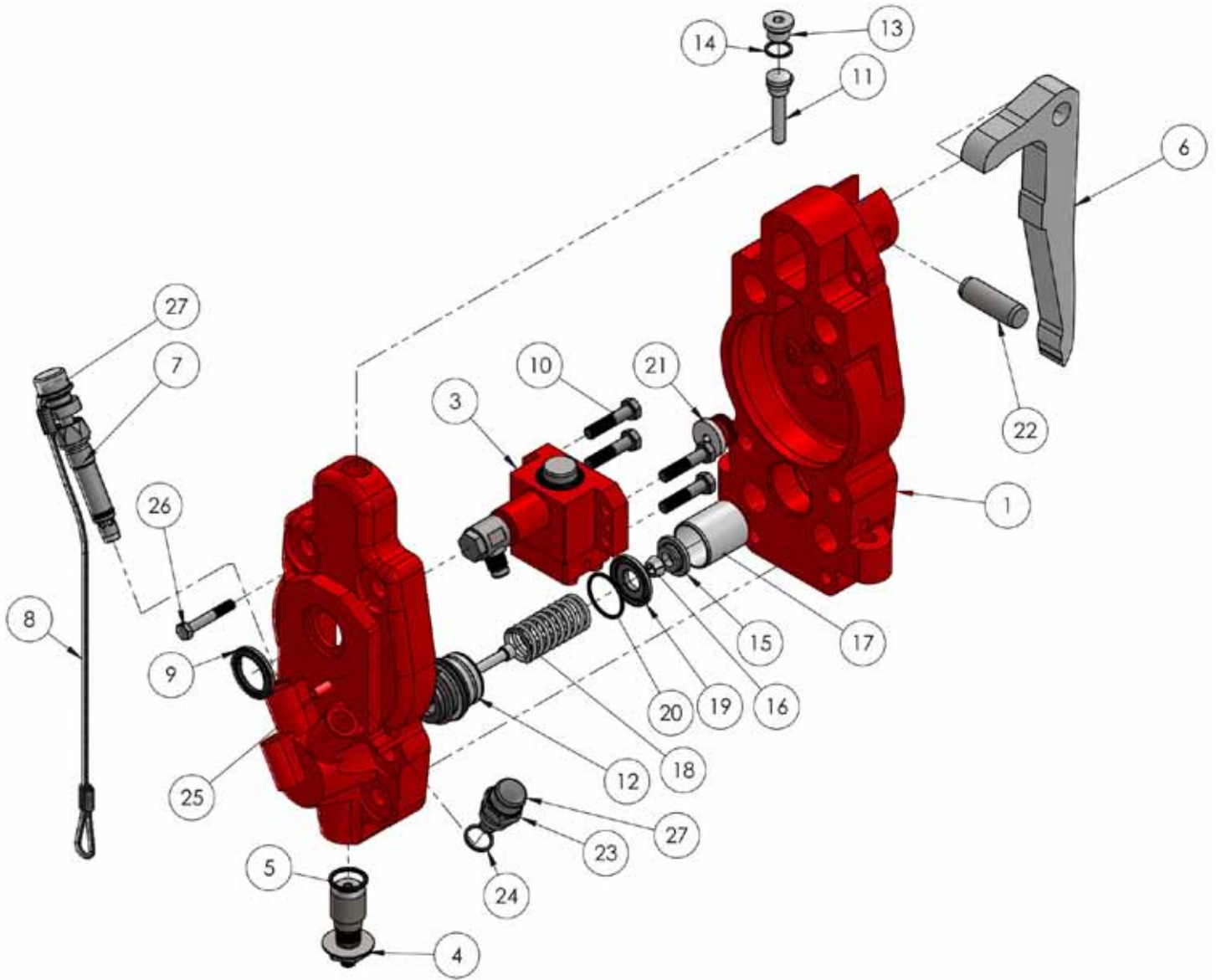


SECTION A-A
SCALE 1 : 5



SECTION B-B
SCALE 1 : 5

**Hydraulic Variable Delivery Fuel Pump
Complete**



Hydraulic Variable Fuel Pump Continued.....

PILECO, Inc.

office (936)494-4200 • 1-800-409-0018 • fax (936)494-4517
www.Pileco.com • 3321 E Davis St • Conroe, TX 77301

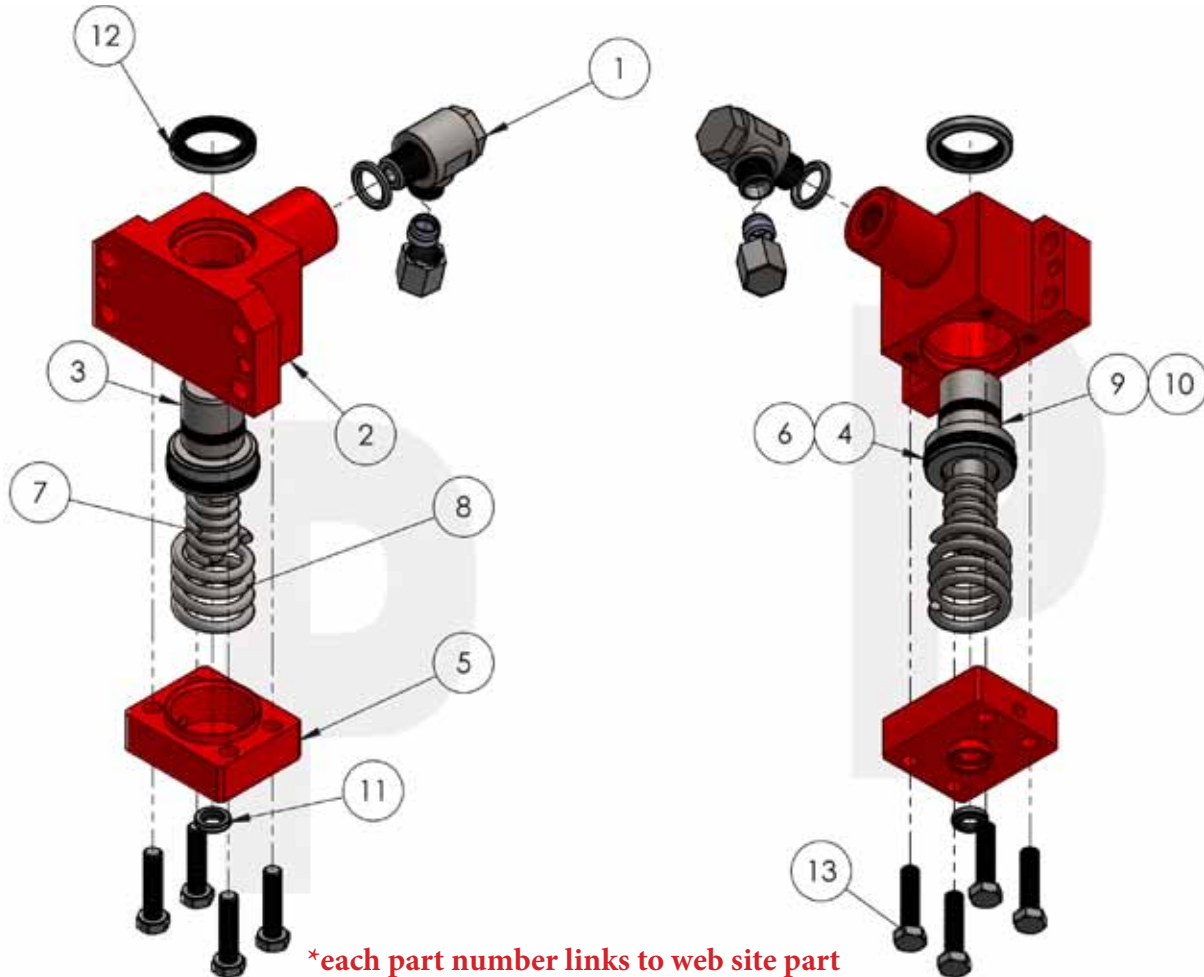
Hydraulic Variable Delivery Fuel Pump Complete

*each part number links to web site part

ITEM NO.	PART NUMBER	DESCRIPTION	QTY.
1	205503	PUMP BODY	1
2	205508	PUMP COVER	1
3	122446-C	FUEL PUMP CONTROL COMPLETE	1
4	43296	CHECK NON RETURN VALVE COMPLETE	1
5	91296	O RING 22 X 3	1
6	41869	PUMP LEVER	1
7	41868	STOP VALVE COMPLETE	1
8	17546	REGULATING ROPE	1
9	205507	DUST RING	1
10	93414	10-1.5 X 30 HEX HEAD CAPSCREW 8.8	4
11	205501	PRESSURE PIECE	1
12	22903	D6/D8 PUMP ELEMENT 14MM	1
13	93055	PLUG SCREW 18 X 1.5	1
14	90002	SEALING RING 18 X 22	1
15	22058	SPRING RETAINING COLLAR	1
16	22059	CONICAL RING 2 PCS	1
17	43287	GUIDE SLEEVE	1
18	22060	PRESSURE SPRING 28 X 67.2 X 3.5	1
19	43995	HOLDER RING	1
20	92996	ROUND SEALING RING 35 X 2.5	1
21	91885	PLUG SCREW M26 X 1.5	1
22	22043	PIN	1
23	41863	SUCTION VALVE	1
24	92031	SEALING RING A20 X 24	1
25	205506	DOWEL PIN 8 X 20	1
26	93456	LOCKING SCREW M8 X 50	1
27	93236	PROTECTION CAP	2

PILECO, Inc.

office (936)494-4200 • 1-800-409-0018 • fax (936)494-4517
www.Pileco.com • 3321 E Davis St • Conroe, TX 77301

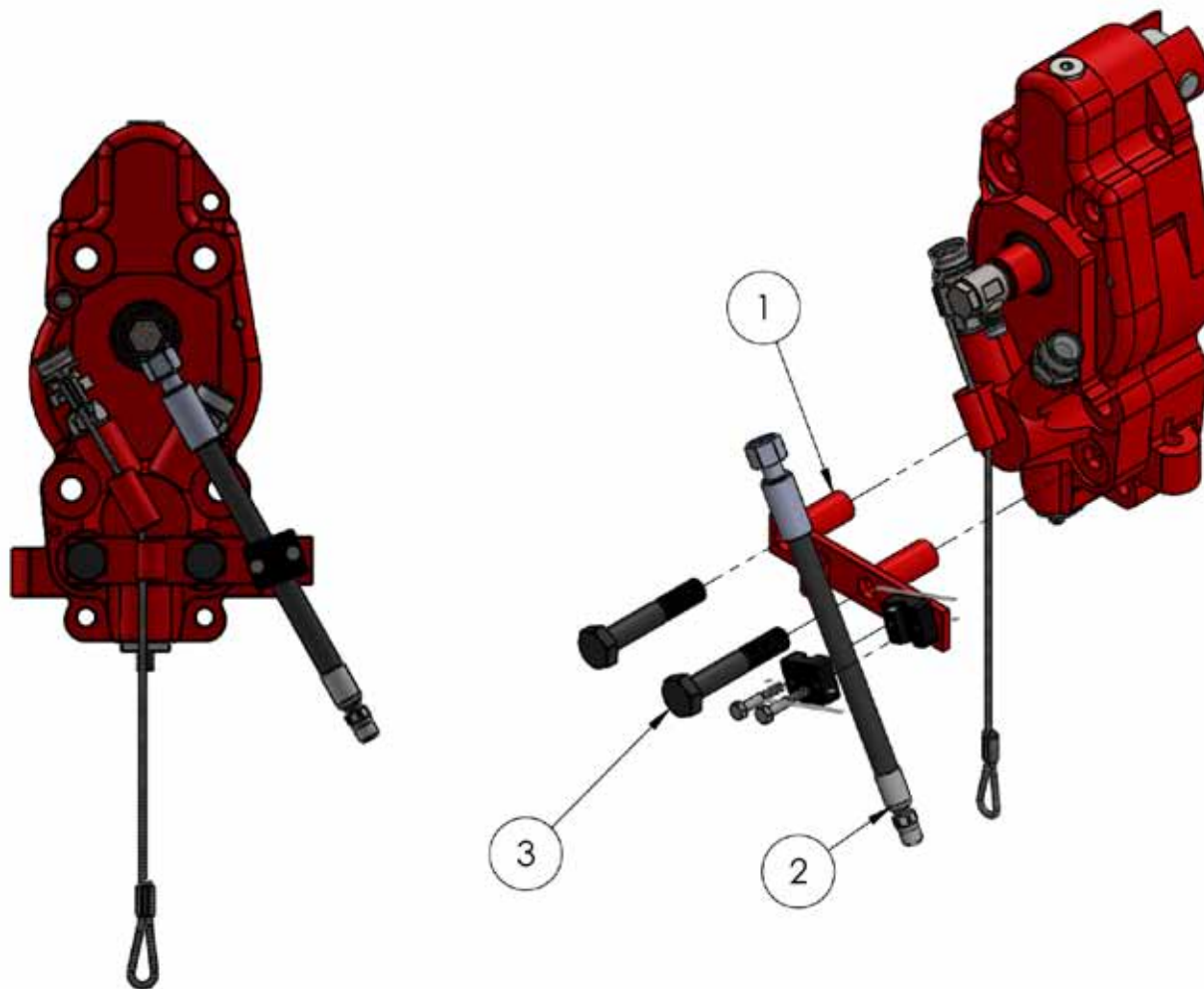
**Fuel Pump Control
Complete**


*each part number links to web site part

ITEM NO.	PART NUMBER	DESCRIPTION	QTY.
1	205509	METRIC BITE TYPE FITTING M16 X 1.5	1
2	126538-C	CYLINDER	1
3	126539	PISTON	1
4	193444	O-RING 32.93 X 3.53	1
5	126537-C	COVER	1
6	193446	BACK UP RING	1
7	193451	PRESSURE SPRING	1
8	193450	PRESSURE SPRING	1
9	193445	O-RING 20.22 X 3.53	1
10	193447	BACK UP RING	1
11	193448	ROD WIPER	1
12	193449	ROD WIPER	1
13	94989	8-1.25 X 35 HEX HEAD CAPSCREW	4

PILECO, Inc.

office (936)494-4200 • 1-800-409-0018 • fax (936)494-4517
www.Pileco.com • 3321 E Davis St • Conroe, TX 77301

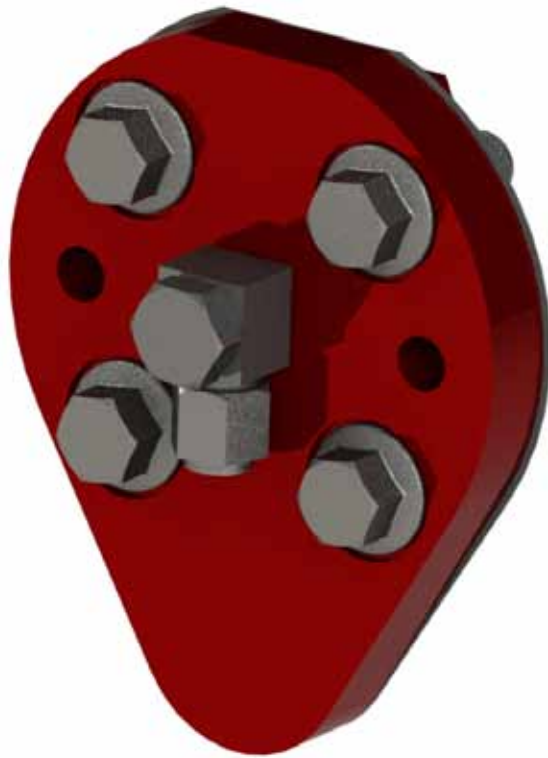
Pigtail Installment


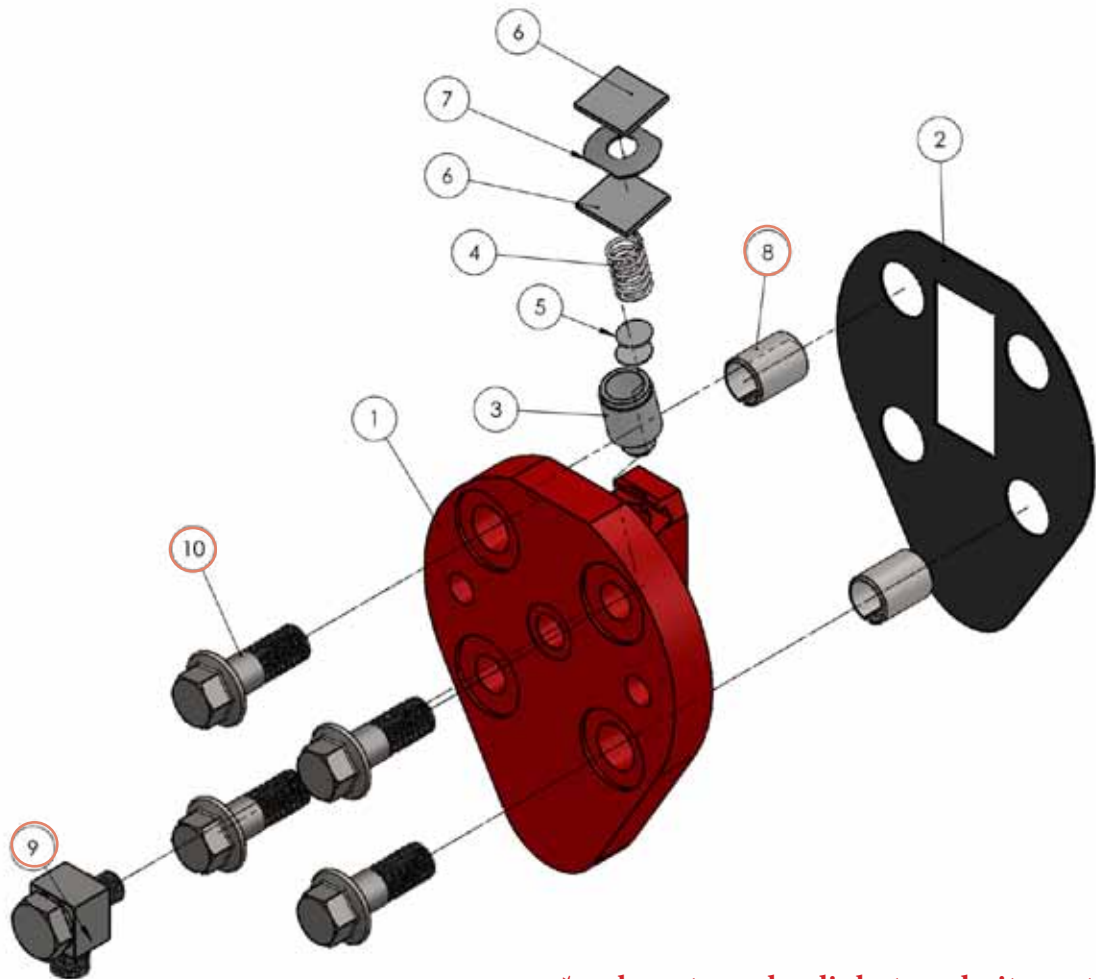
ITEM NO.	PART NUMBER	DESCRIPTION	QTY.
1	205505	HYDRAULIC FUEL PUMP HOSE CLAMP	1
2	8001063	HYDRAULIC FUEL PUMP PIGTAIL HOSE	1
3	205504	16MM-2.0 X 90MM HEX HEAD CAP SCREW 8.8	2

PILECO, Inc.

office (936)494-4200 • 1-800-409-0018 • fax (936)494-4517
 www.Pileco.com • 3321 E Davis St • Conroe, TX 77301

Fuel Injection



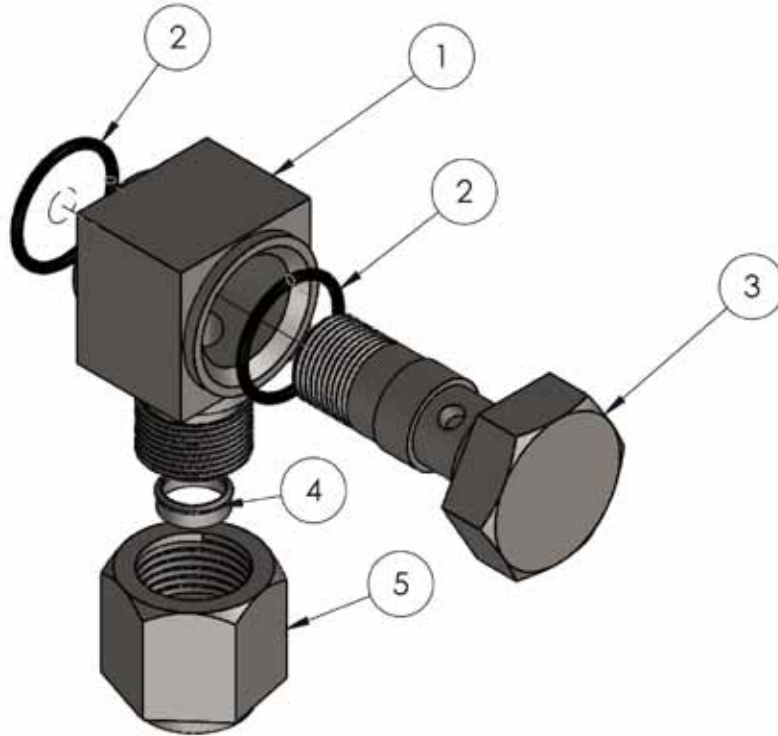
**Fuel Injection Valve
Complete**


*each part number links to web site part

ITEM NO.	PART NUMBER	DESCRIPTION	QTY.
1	102133	INJECTION PLATE	1
2	45647	GASKET	1
3	63843	VALVE PISTON	1
4	97569	PRESSURE SPRING	1
5	97573	ADJUSTING WASHER	2
6	64460	LOCKING PLATE	2
7	64461	SPRING WASHER	1
8 sold separately	95633	DOWEL PIN 21 X 28 DIN 7346	2
9 sold separately	97038	THREADED PIPE JOINT (UNION)	1
10 sold separately	95639	LOCKING SCREW M16 X 45	4

PILECO, Inc.

office (936)494-4200 • 1-800-409-0018 • fax (936)494-4517
www.Pileco.com • 3321 E Davis St • Conroe, TX 77301

**Threaded Pipe Joint
Complete**


NOTE: ITEM SHOULD BE REPLACED WITH
NEW PIPE JOINT COMPLETE WHEN
REMOVED FOR SERVICING

#1 SOLD COMPLETE

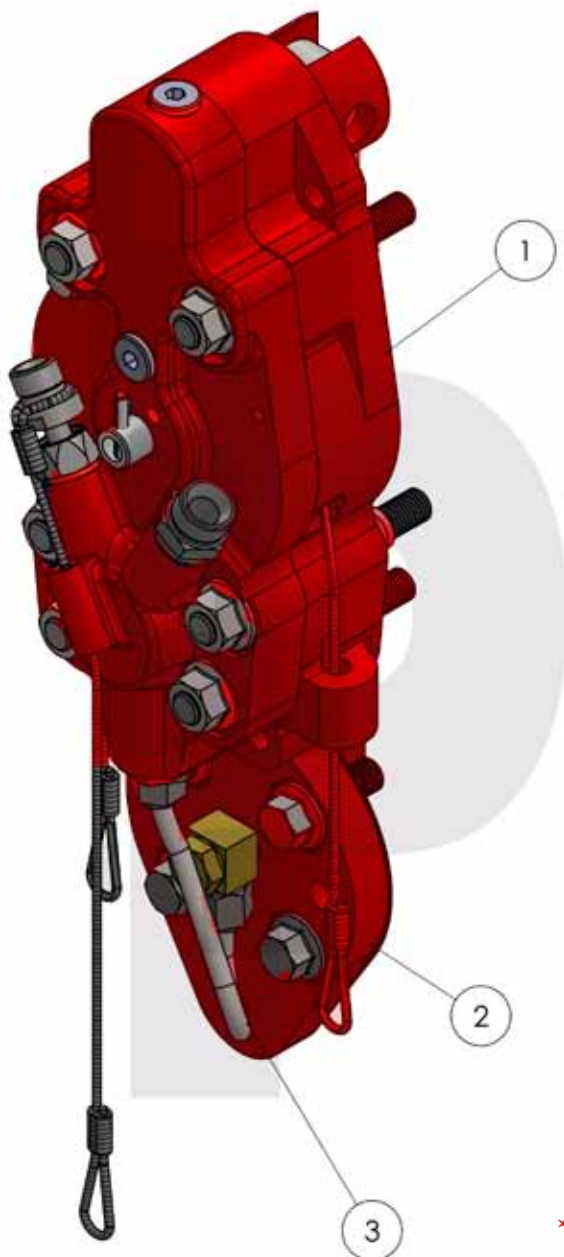
**each part number links to web site part*

ITEM NO.	PART NUMBER	DESCRIPTION	QTY.
1	97038	THREADED PIPE JOINT	1
2	97258	O RING 17 X 1.5	2
3	210405	HOLLOW SCREW	1
4	90127	OLIVE	1
5	204012	UNION NUT M16X1.5	1

**SOLD
TOGETHER**

PILECO, Inc.

office (936)494-4200 • 1-800-409-0018 • fax (936)494-4517
www.Pileco.com • 3321 E Davis St • Conroe, TX 77301

**Fuel Injection Device
Complete**


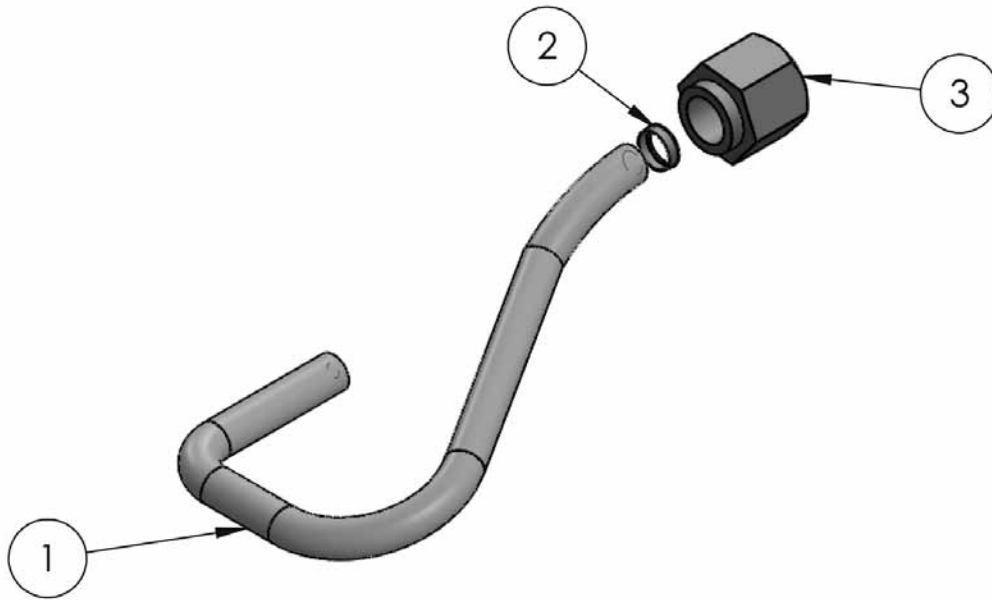
**each part number links to web site part*

ITEM NO.	PART NUMBER	DESCRIPTION	QTY.
1	41865	VARIABLE-DELIVERY FUEL PUMP D6/D8	1
2	104675	INJECTION VALVE COMPLETE	1
3	100573	PIPE BEND	1

PILECO, Inc.

office (936)494-4200 • 1-800-409-0018 • fax (936)494-4517
 www.Pileco.com • 3321 E Davis St • Conroe, TX 77301

Fuel Tube Assembly



NOTE: FUEL TUBE , NUT, AND OLIVE SHALL BE REPLACED IF REMOVED DURING SERVICE

**DO NOT OVER TIGHTEN COMPRESSION NUTS
DAMAGE TO TUBE MAY OCCUR!**

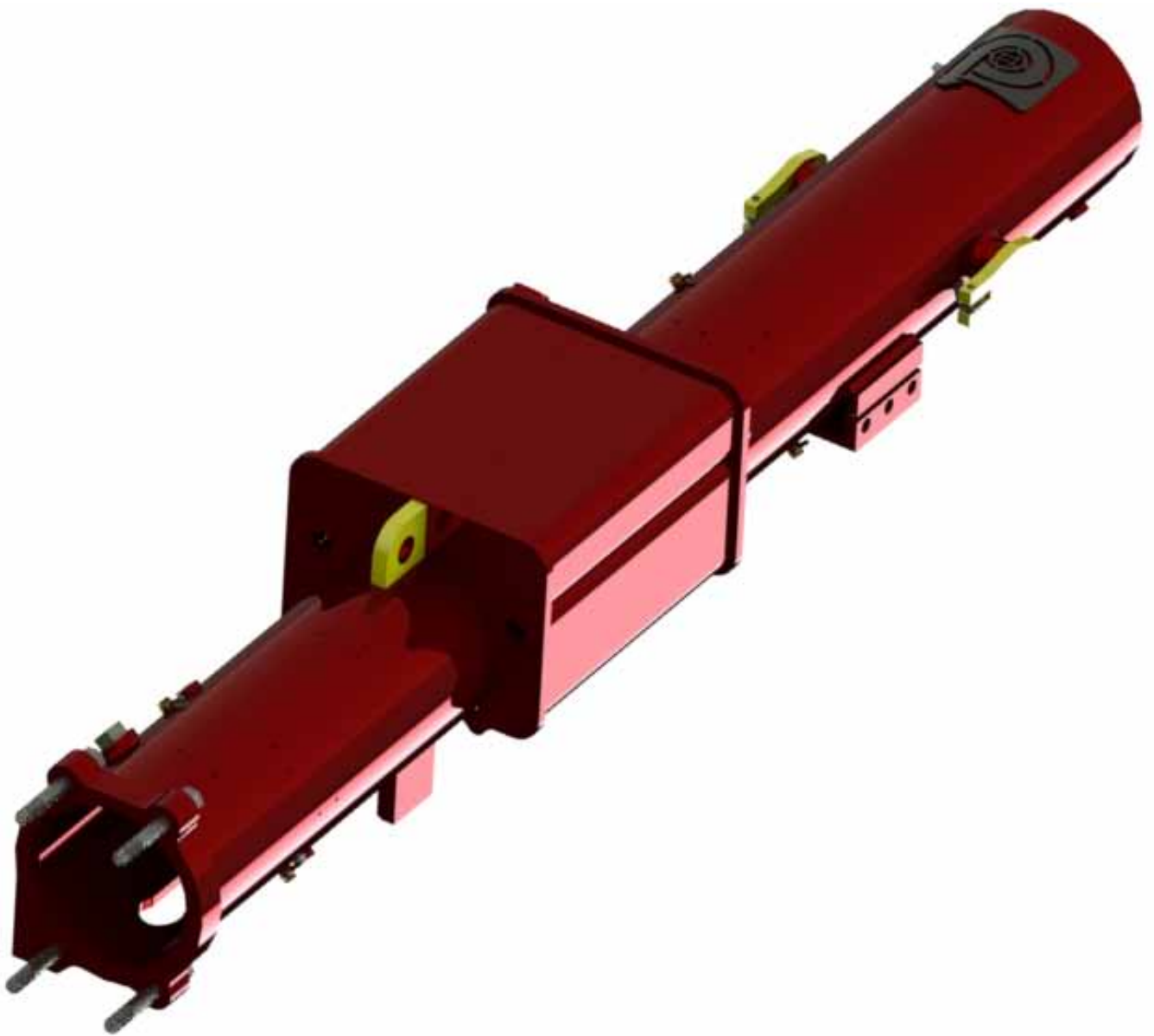
**each part number links to web site part*

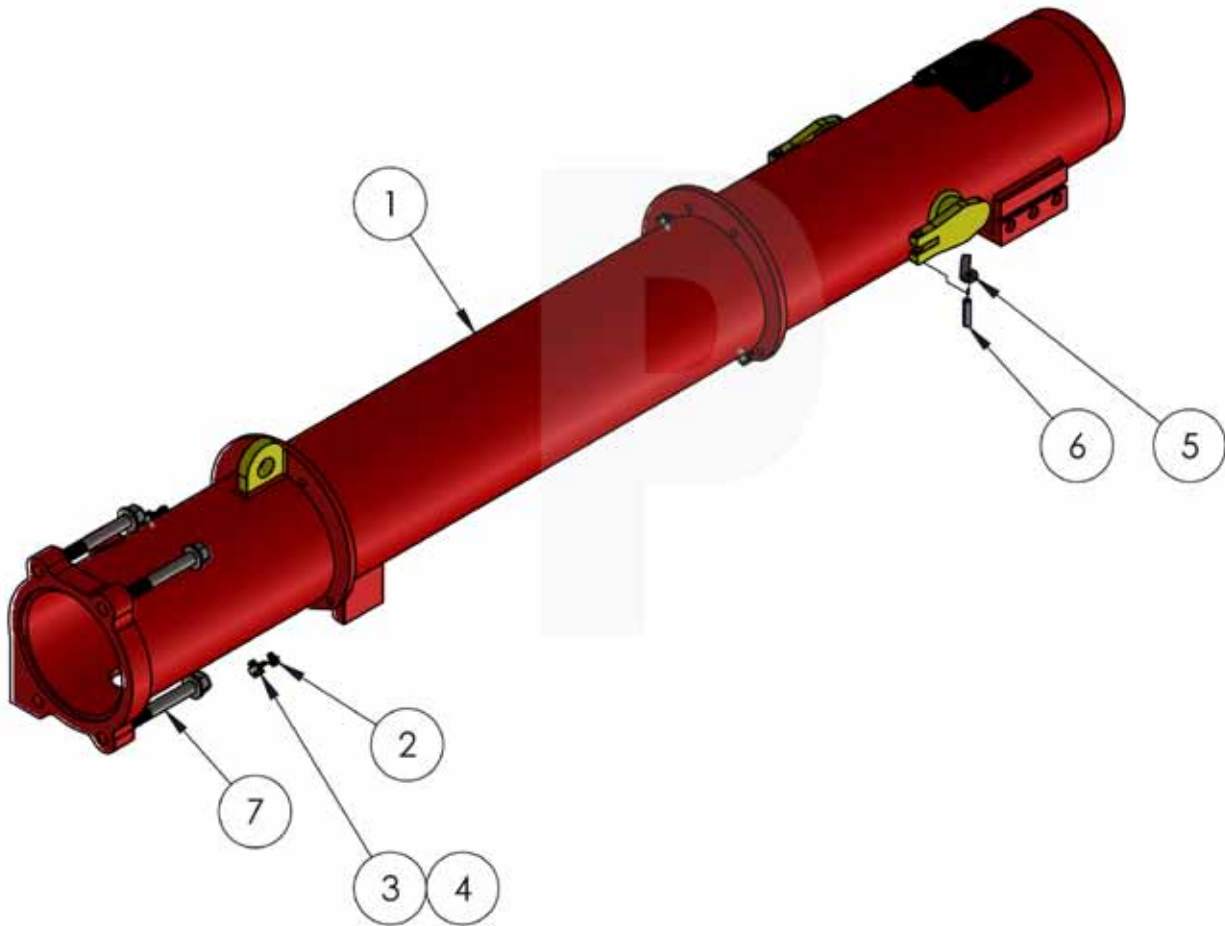
ITEM NO.	PART NUMBER	DESCRIPTION	QTY.
1	100573	FUEL TUBE	1
2 sold separately	90127	OLIVE	1
3 sold separately	90128	UNION NUT M18X1.5	1

PILECO, Inc.

office (936)494-4200 • 1-800-409-0018 • fax (936)494-4517
www.Pileco.com • 3321 E Davis St • Conroe, TX 77301

Upper Cylinder



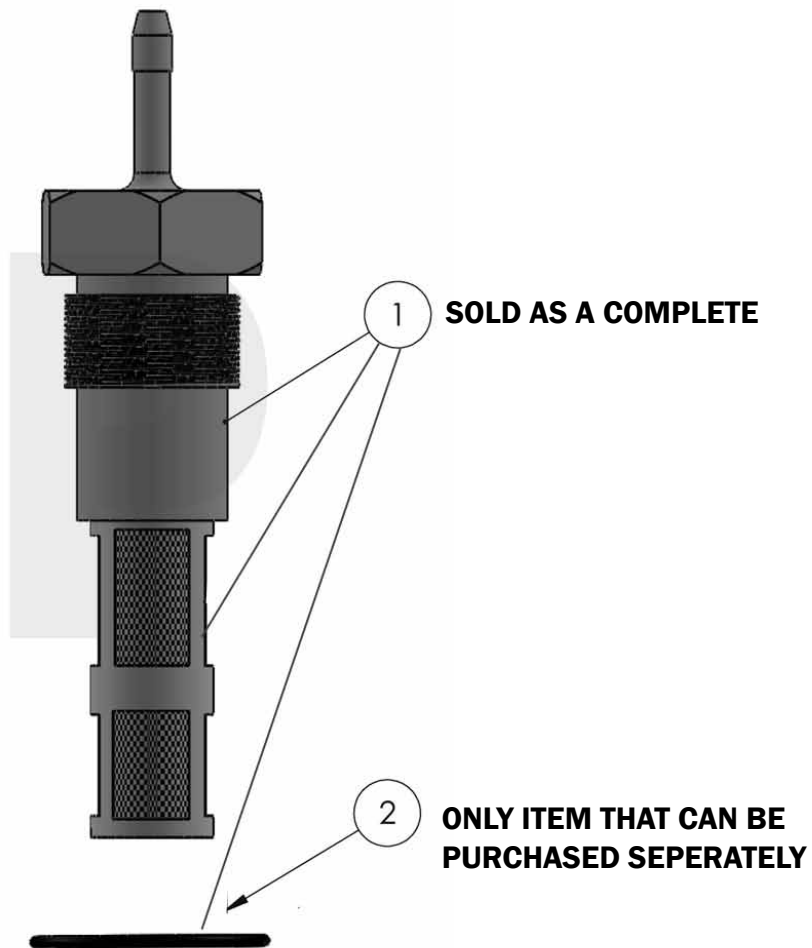
**Upper Cylinder
Complete**


*each part number links to web site part

ITEM NO.	PART NUMBER	DESCRIPTION	QTY.
1	201004	D6/D8 UPPER CYLINDER PART	1
2	90791	GREASE NIPPLE M10 X 1	3
3	97948	HOLLOW SCREW A6 DIN 7623-6.8	4
4	97949	RING NIPPLE	4
5	17039	RATCHET	2
6	90044	12MM X 60 DOWEL PIN, ROLL PIN	2
7	20174	M24 X 165 HEX BOLT	4

PILECO, Inc.

office (936)494-4200 • 1-800-409-0018 • fax (936)494-4517
 www.Pileco.com • 3321 E Davis St • Conroe, TX 77301

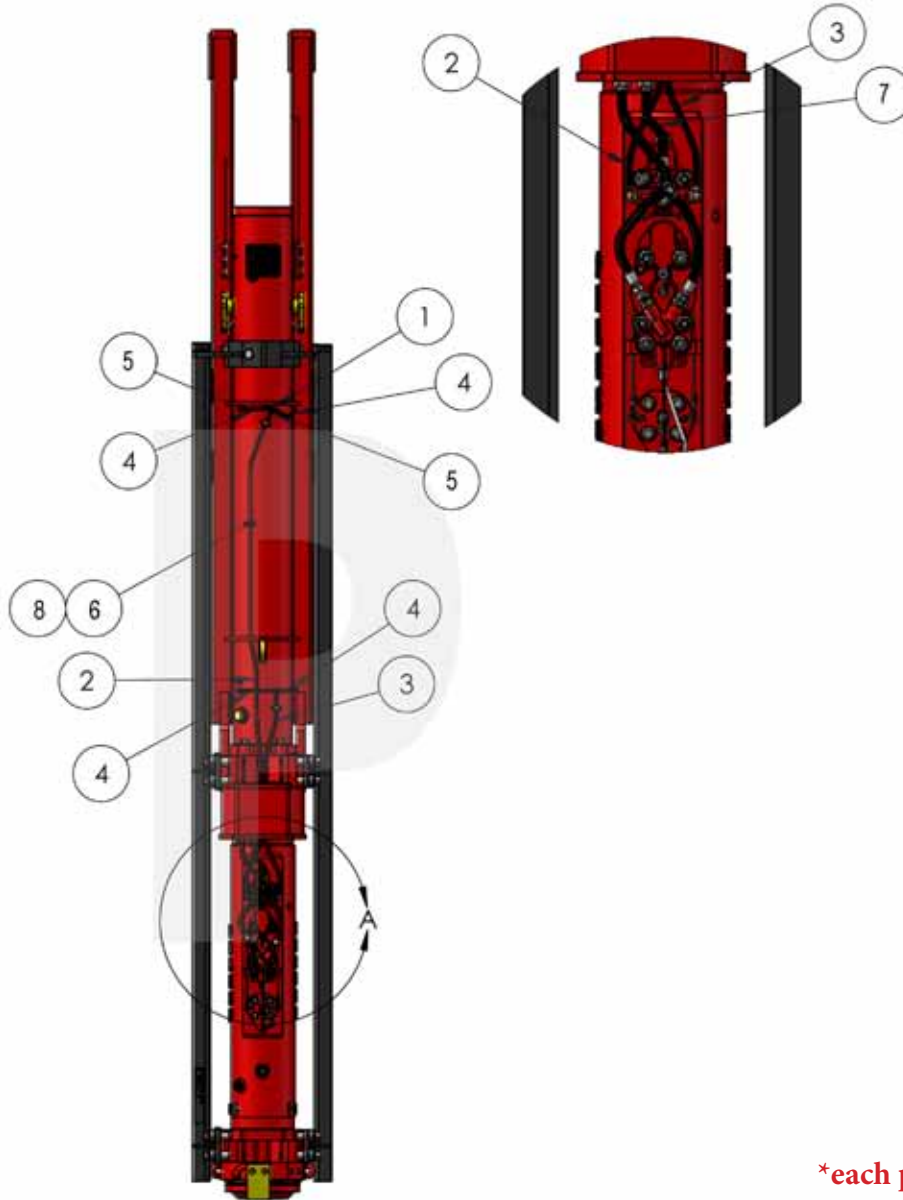
**Filter Elbow
Complete**


**each part number links to web site part*

ITEM NO.	PART NUMBER	DESCRIPTION	QTY.
1	64403	FILTER ELBOW COMPLETE	1
2	210607	O-RING 36 X 1.5	1

PILECO, Inc.

office (936)494-4200 • 1-800-409-0018 • fax (936)494-4517
 www.Pileco.com • 3321 E Davis St • Conroe, TX 77301

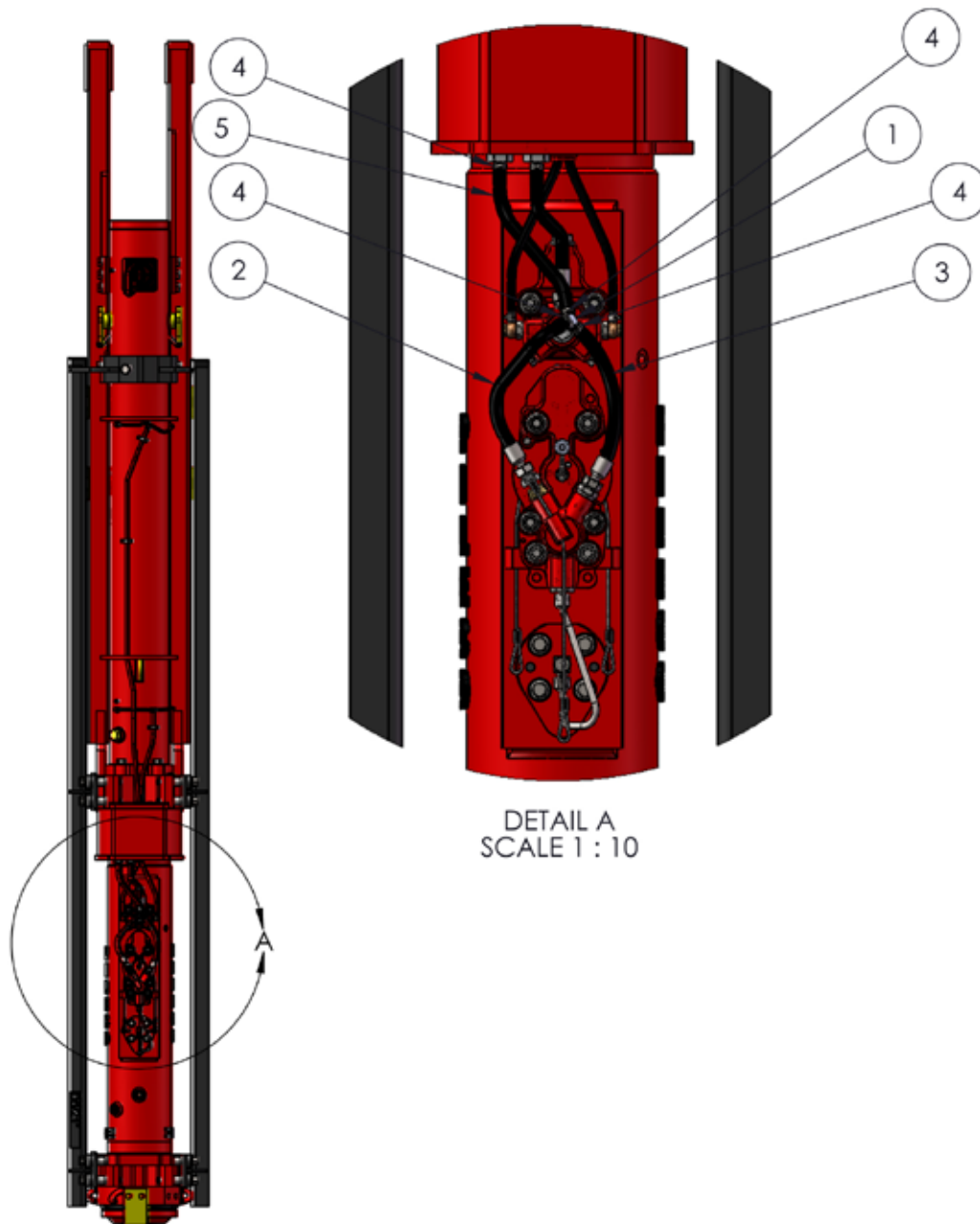
Lube Lines w/Connector


*each part number links to web site part

ITEM NO.	PART NUMBER	DESCRIPTION	QTY.
1	94522	T-PIECE	2
2	96035	HOSE 1.15M LONG	1
3	20193	HOSE 0.77M LONG	1
4	100568	HOSE 1.17M LONG	3
5	94299	HOSE CLAMP 5/8-1	14
6	2932	CLIP	3
7	99065	HOSE 2.5M LONG	1
8	93412	8-1.25 X 12 HEX HEAD CAPSCREW	4

PILECO, Inc.

office (936)494-4200 • 1-800-409-0018 • fax (936)494-4517
 www.Pileco.com • 3321 E Davis St • Conroe, TX 77301

Fuel Line-Breather Line


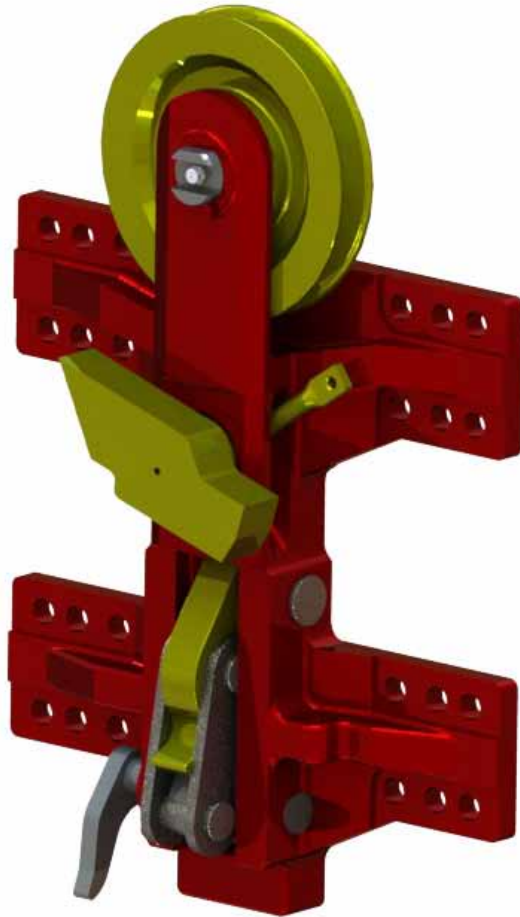
**each part number links to web site part*

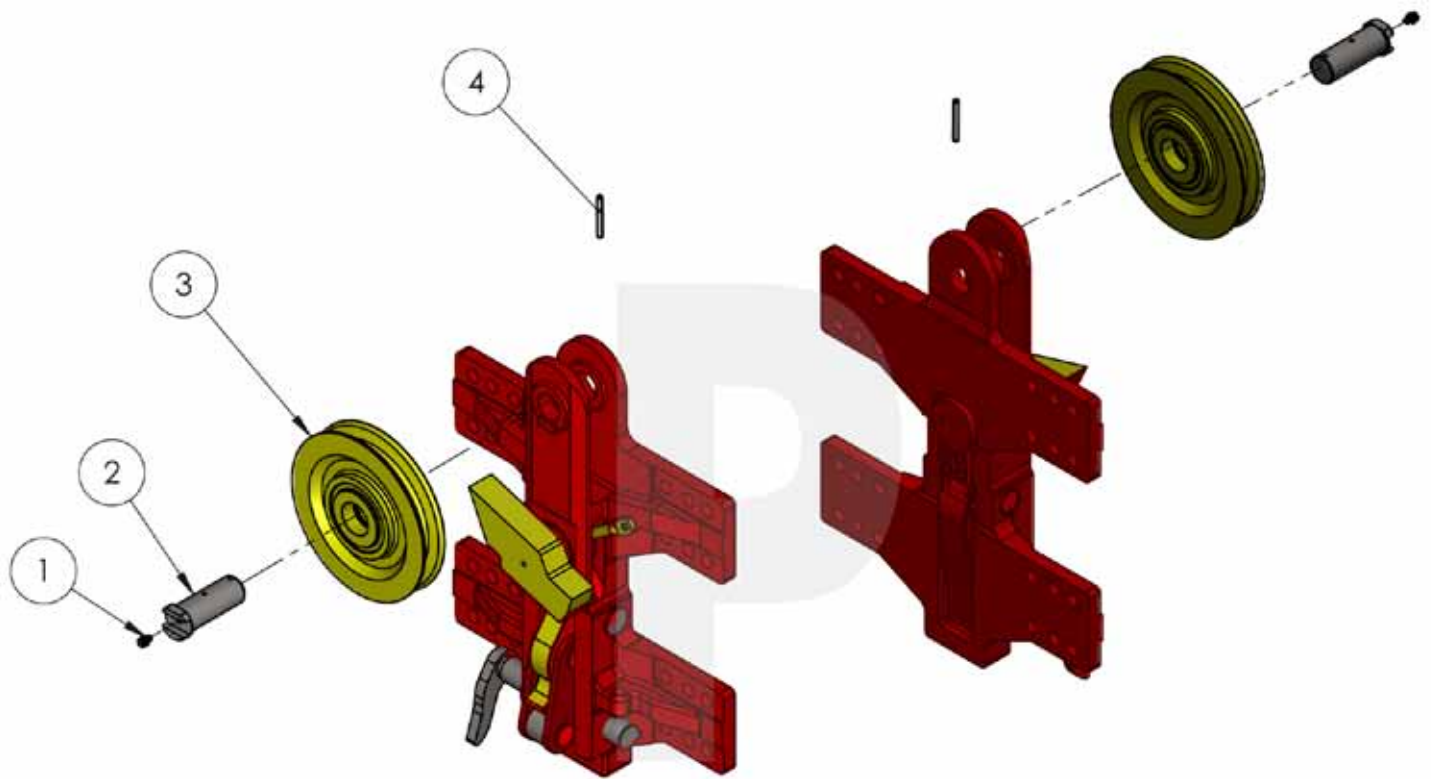
ITEM NO.	PART NUMBER	DESCRIPTION	QTY.
1	99019	Y-PIECE	1
2	207025	HOSE 0.36M LONG	1
3	96504	HOSE 0.28M LONG	1
4	94299	HOSE CLAMP 5/8-1	4
5	201002	HOSE 1.2M LONG	1

PILECO, Inc.

office (936)494-4200 • 1-800-409-0018 • fax (936)494-4517
 www.Pileco.com • 3321 E Davis St • Conroe, TX 77301

Starting Device (Trip)



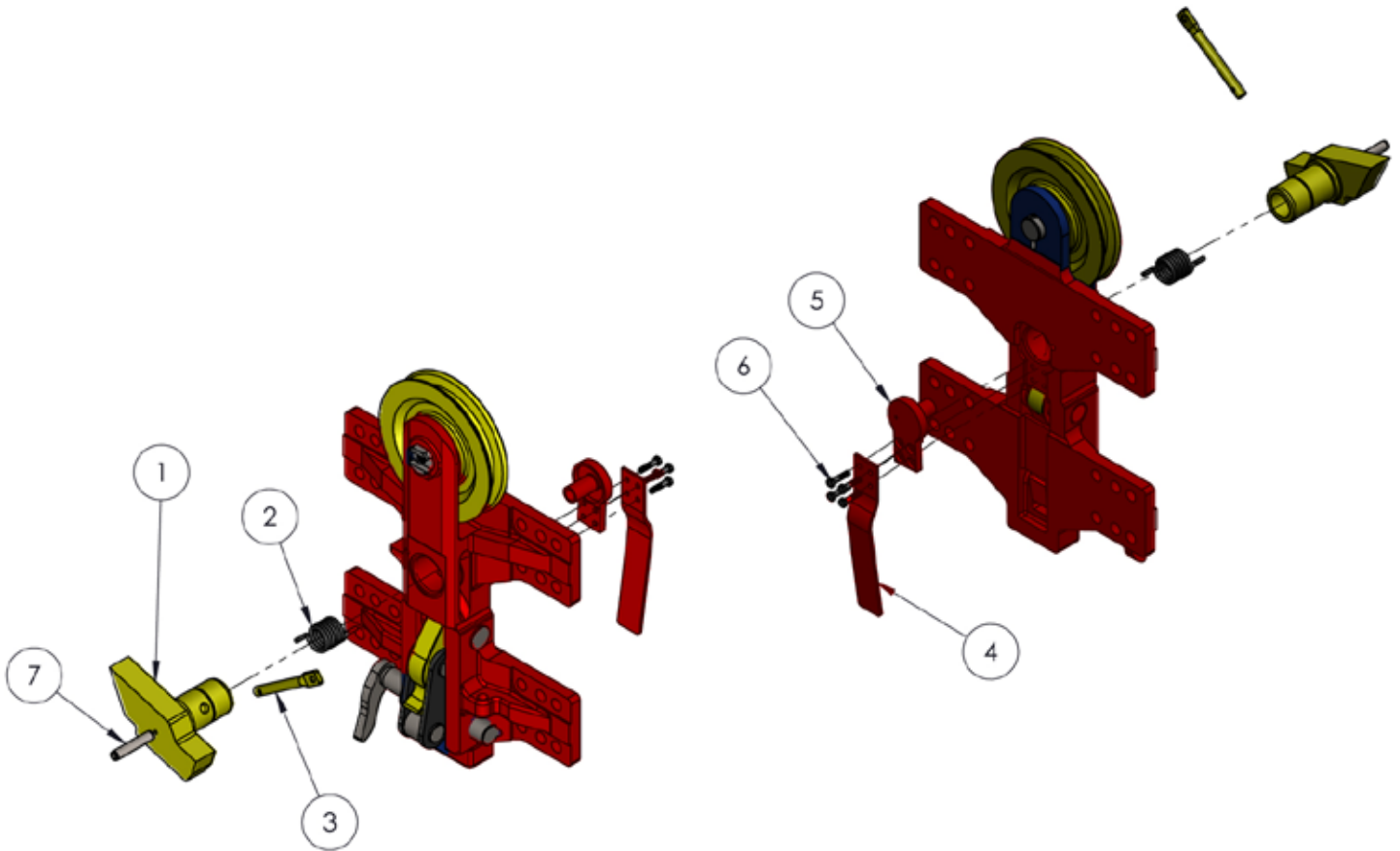
**Manual Starting Device (Trip)
Complete**


*each part number links to web site part

ITEM NO.	PART NUMBER	DESCRIPTION	QTY.
1	90791	GREASE NIPPLE M10 X 1	1
2	104954	SHEAVE PIN	1
3	190285	ROPE PULLEY	1
4	90637	8 X 80 SPLIT PIN DIN 94-ST	1

PILECO, Inc.

office (936)494-4200 • 1-800-409-0018 • fax (936)494-4517
www.Pileco.com • 3321 E Davis St • Conroe, TX 77301

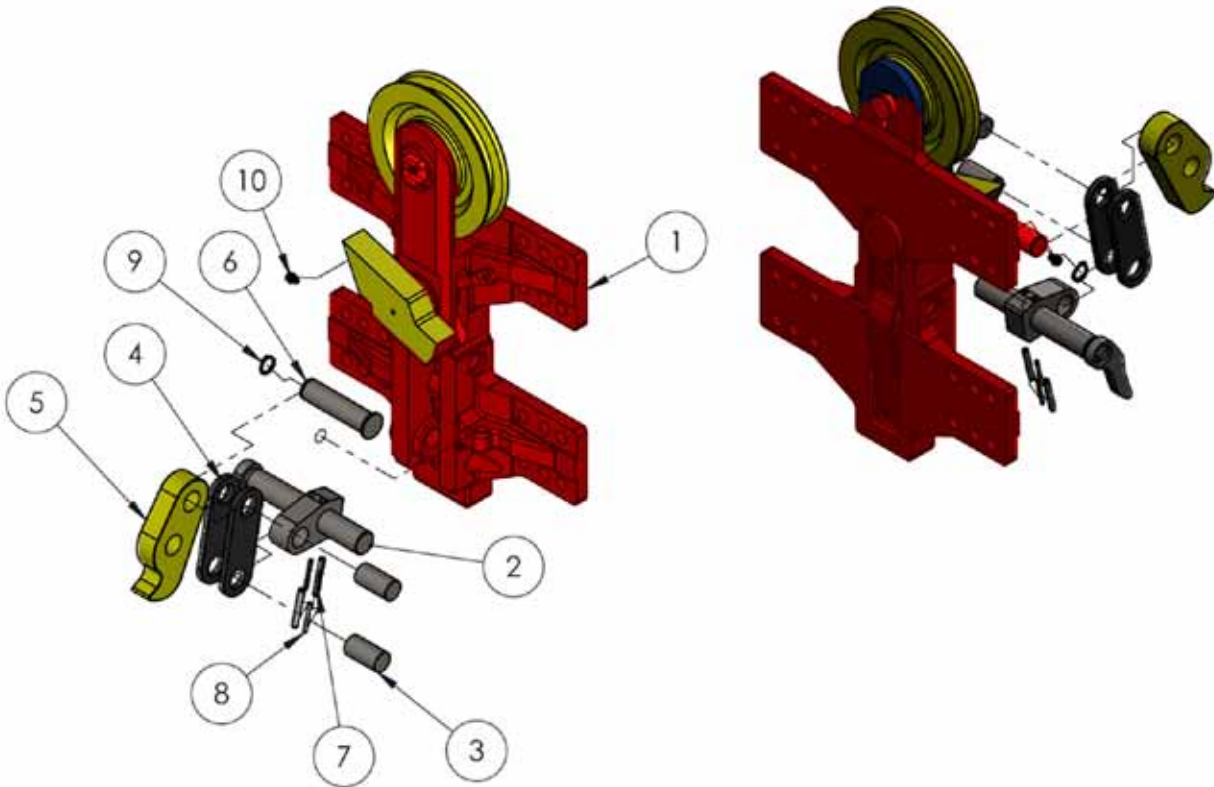
**Manual Starting Device (Trip)
Complete**


*each part number links to web site part

ITEM NO.	PART NUMBER	DESCRIPTION	QTY.
1	108300	DRIVING PIN	1
2	39381	TORSION SPRING	1
3	64189	LEVER	1
4	39382	LEAF SPRING	1
5	104698	COVER	1
6	93414	10-1.5 X 30 HEX HEAD CAPSCREW 8.8	4
7	90380	8MM X 50 ROLL PIN	1

PILECO, Inc.

office (936)494-4200 • 1-800-409-0018 • fax (936)494-4517
www.Pileco.com • 3321 E Davis St • Conroe, TX 77301

**Manual Starting Device (Trip)
Complete**


*each part number links to web site part

ITEM NO.	PART NUMBER	DESCRIPTION	QTY.
1	104697	TRIP BODY	1
2	104695	TRIP CAM WITH LEVER	1
3	1106	JOINT BOLT	2
4	1104	SHACKLE	2
5	64192	PAWL	1
6	64190	PIN	1
7	91321	10MM X 75 ROLL PIN	2
8	90160	6MM X 60 ROLL PIN	2
9	90221	CIRCLIP 30 X 1.2 DIN 471	1
10	90791	GREASE NIPPLE M10 X 1	1

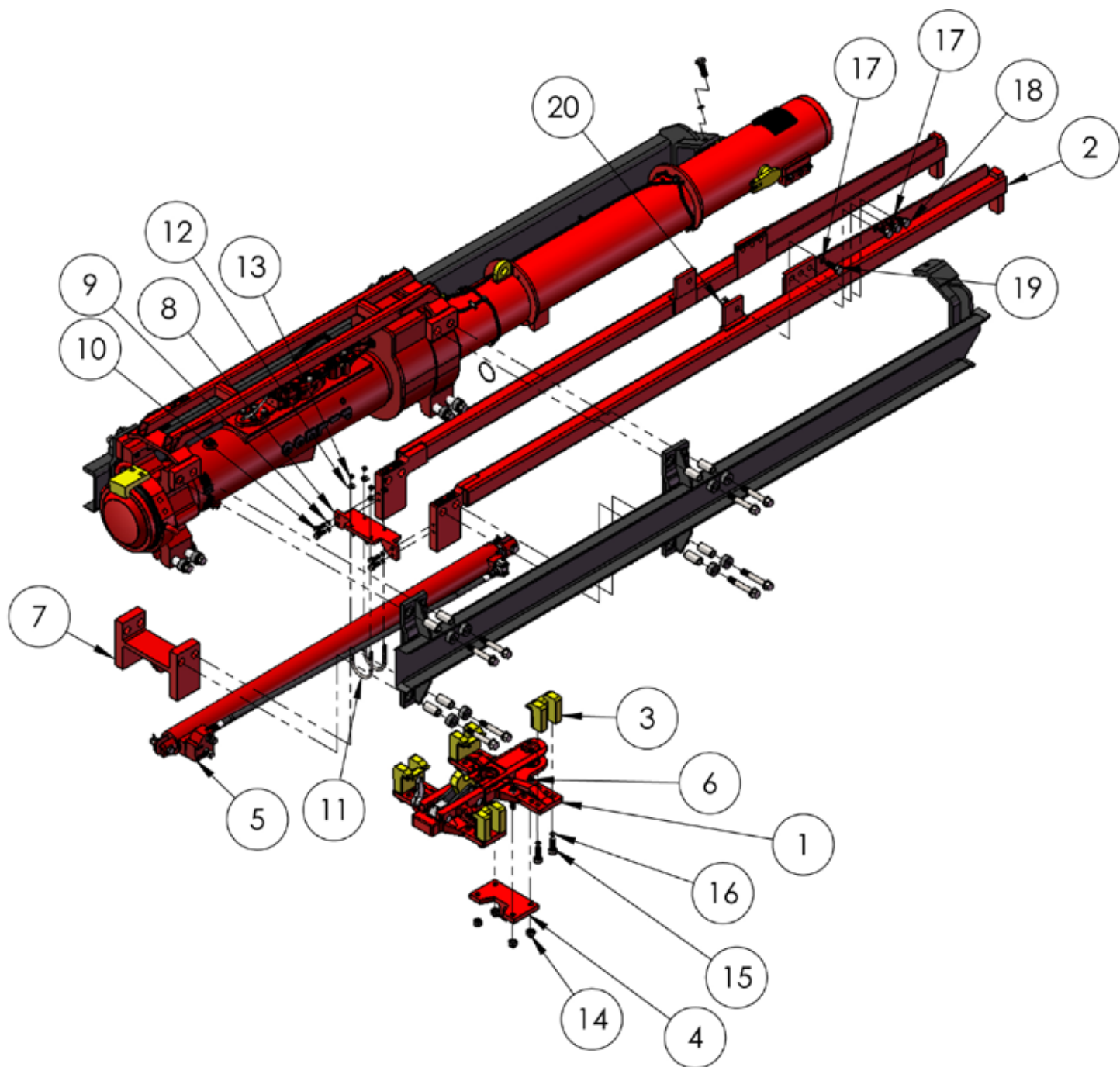
PILECO, Inc.

office (936)494-4200 • 1-800-409-0018 • fax (936)494-4517
www.Pileco.com • 3321 E Davis St • Conroe, TX 77301

Hydraulic Push Start



**Hydraulic Push Start
Complete**



continued....

PILECO, Inc.

office (936)494-4200 • 1-800-409-0018 • fax (936)494-4517
www.Pileco.com • 3321 E Davis St • Conroe, TX 77301

Hydraulic Push Start Complete

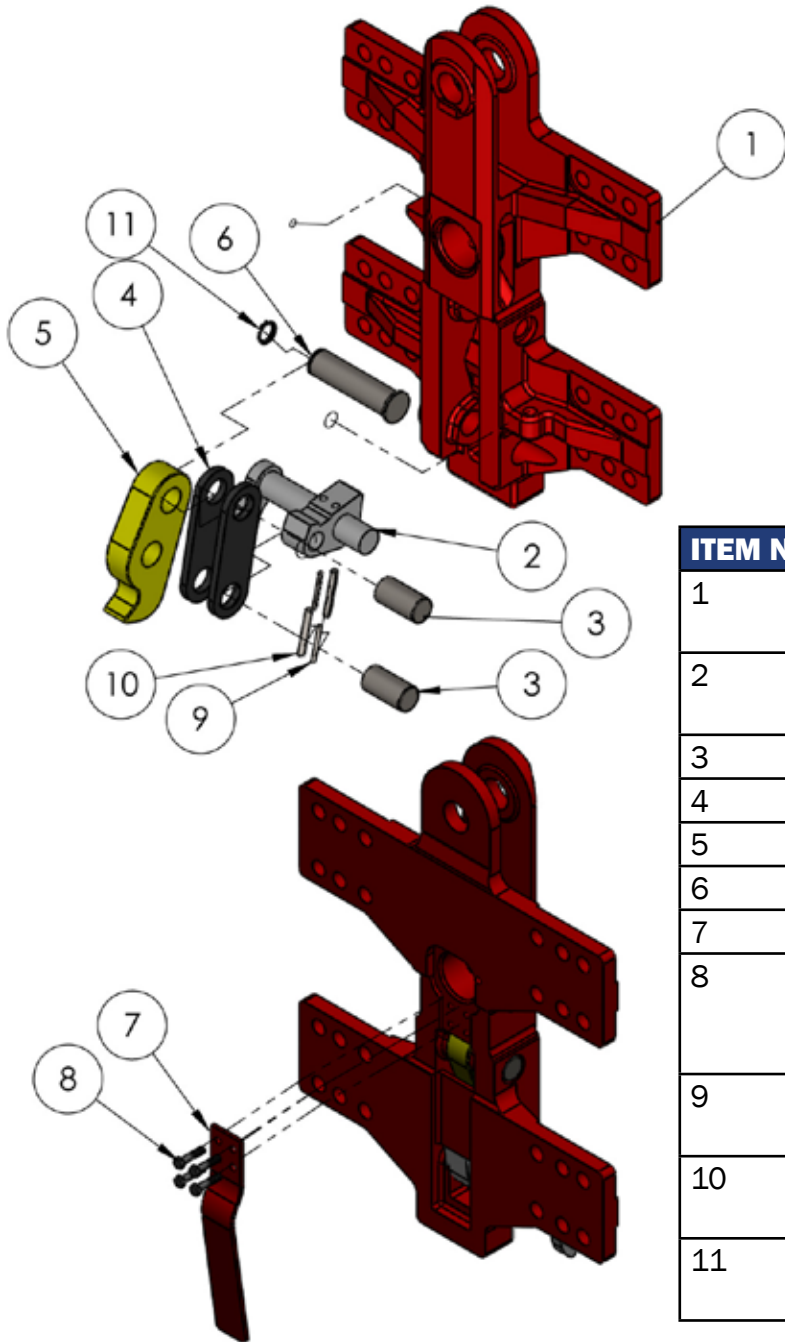
*each part number links to web site part

ITEM NO.	PART NUMBER	DESCRIPTION	QTY.
1	201102	D8 HYDRAULIC STARTING DEVICE	1
2	201101	D8 HYDRAULIC START STARTER GUIDES	1
3	201213	GUIDE GIB	4
4	201105	HYDRAULIC START TRIP BRACKET	1
5	201112	D8 HYDRAULIC TRIP CYLINDER	1
6	201103	20MM-2.5 X 70 SOCKET HEAD CAP SCREW	4
7	201107	HYDRAULIC START LOWER BRACKET	1
8	202104	HYDRAULIC CYLINDER BRACKET	1
9	202107	16MM EXT LOCKWASHER	4
10	202106	16-2MM X 50 HEX HEAD CAP SCREW	4
11	202110	U BOLT 12-1.75 X 134MM	2
12	202109	12MM FLAT WASHER	4
13	202108	12-1.75 NYLON INSERT LOCK NUT	4
14	201104	20MM X 2.5 NYLON INSERT LOCK NUT	4
15	201214	24MM-3 X 60 SOCKET HEAD CAP SCREW	8
16	203134	7/8 SCHNORR SAFETY WASHER	8
17	203131	24MM SCHNORR SAFETY WASHER	6
18	203130	24-3.0 X 45 HEX HEAD CAPSCREW	6
19	261417	24MM-3.0 X 70 HEX HEAD CAP SCREW	2
20	90091	24-3.0 HEX NUT	2

Hydraulic Starting Device (Trip)



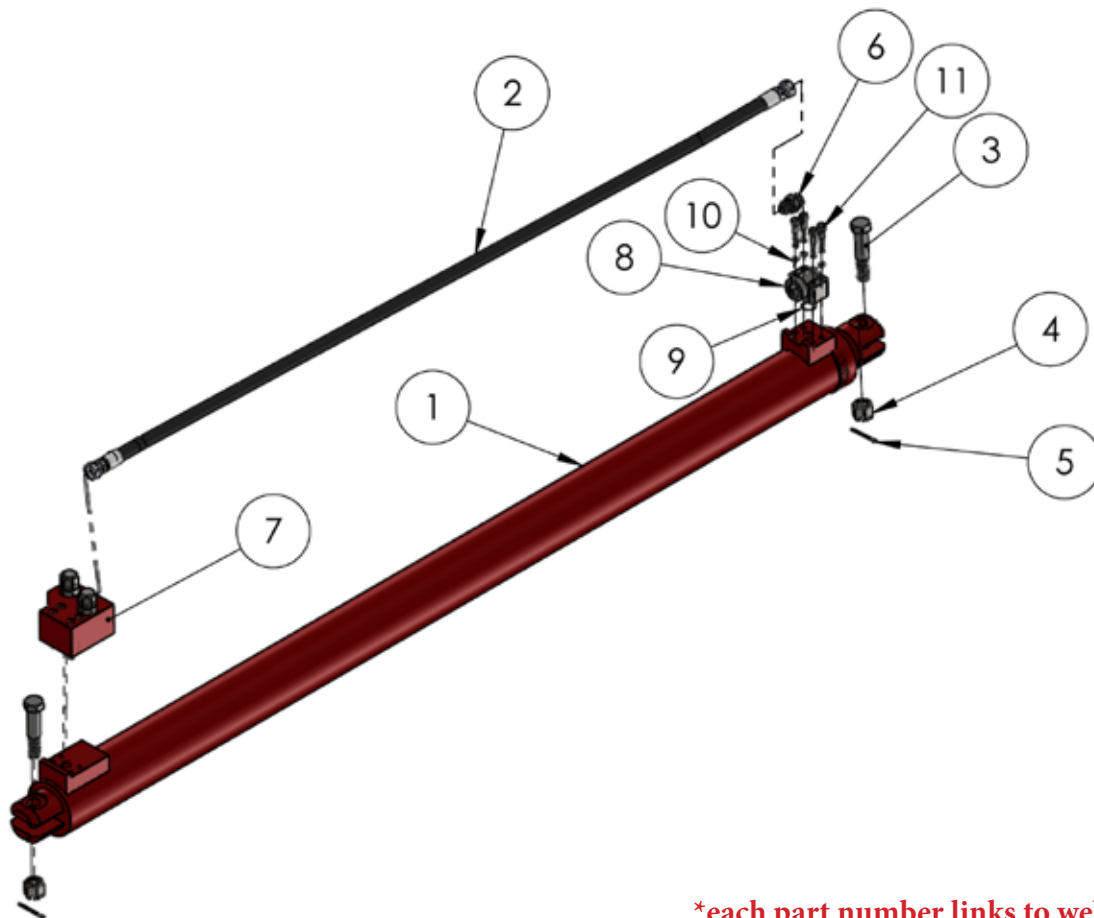
Hydraulic Starting Device (Trip) Assembly



*each part number links to web site part

ITEM NO.	PART NUMBER	DESCRIPTION	QTY.
1	104697	GUIDE BODY COMPLETE	1
2	104695	CAM WITH LEVER COMPLETE	1
3	1106	JOINT BOLT	2
4	1104	SHACKLE	2
5	64192	PAWL	1
6	64190	PIN	1
7	39382	LEAF SPRING	1
8	93414	10-1.5 X 30 HEX HEAD CAPSCREW 8.8	4
9	90160	6MM X 60 ROLL PIN	2
10	91321	10MM X 75 ROLL PIN	2
11	90221	CIRCLIP 30 X 1.2 DIN 471	1

Hydraulic Cylinder Complete



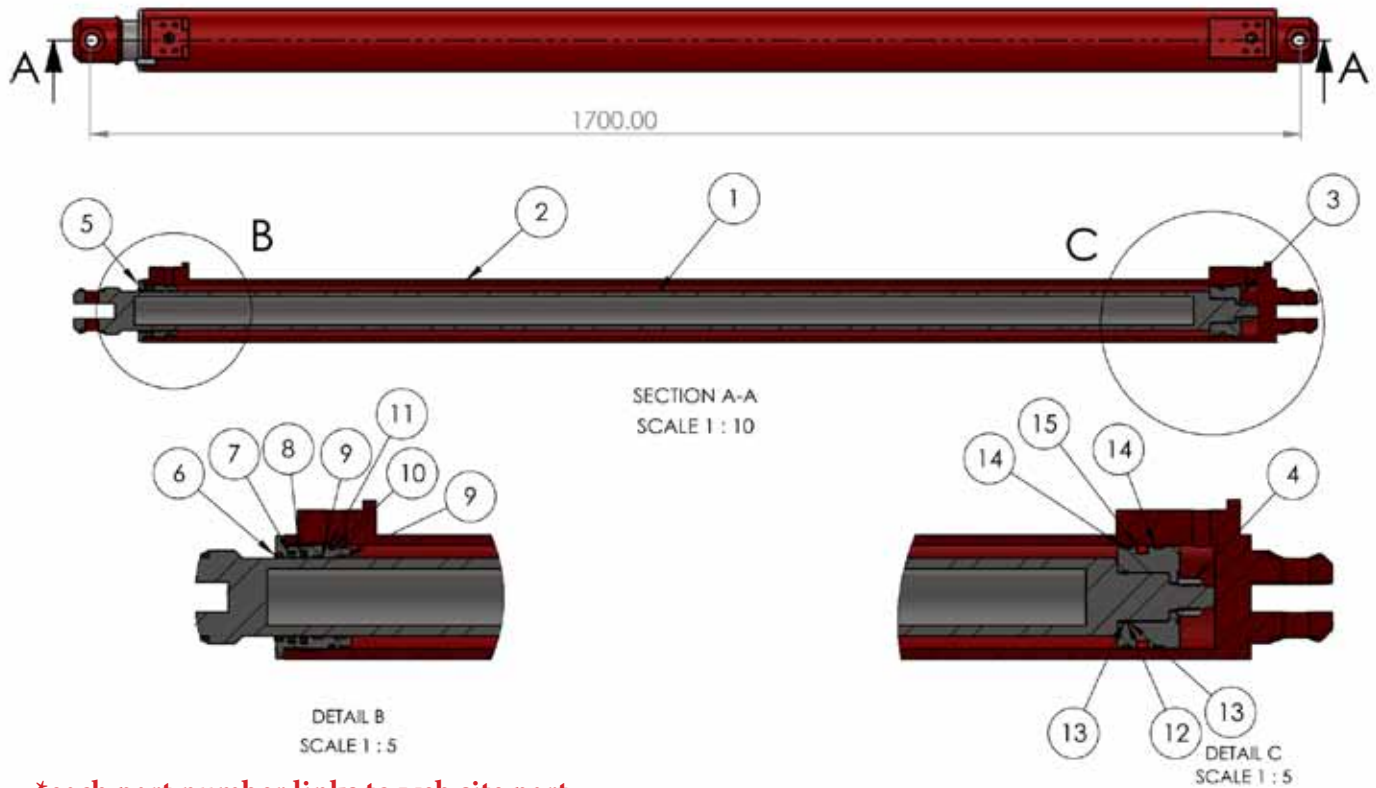
*each part number links to web site part

ITEM NO.	PART NUMBER	DESCRIPTION	QTY.
1	203171	HYDRAULIC START CYLINDER	1
2	203175	1950MM HOSE	1
3	205110	24MM-3.0 X 110 HEX HEAD CAP SCREW w/ PIN HOLE	2
4	205111	M24 SLOTTED HEX NUT	2
5	205112	5 X 40 COTTER PIN	2
6	203124	3/4-1 1/16 - 12 JIC Straight Thread Connectors 37° Flare /SAE-ORB 12 F50X	1
7	201108	LOWER HYDRAULIC BLOCK ASSEMBLY	1
8	203173	W184-12-12 ANCHOR FLANGE	1
9	203172	O-RING 2-214 24.99 X 3.53	1
10	207116	10MM HI COLLAR LOCK WASHER	4
11	203174	10MM X 55 SOCKET HEAD CAP SCREW	4

PILECO, Inc.

office (936)494-4200 • 1-800-409-0018 • fax (936)494-4517
www.Pileco.com • 3321 E Davis St • Conroe, TX 77301

Hydraulic Cylinder Assembly



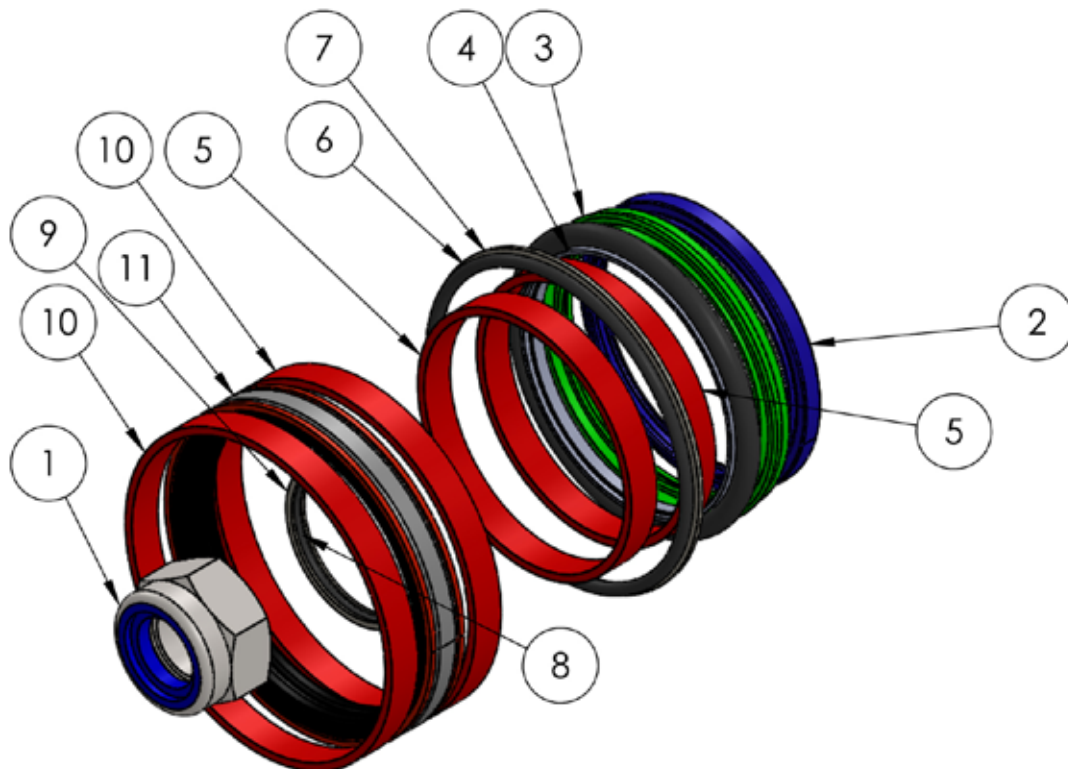
*each part number links to web site part

ITEM NO.	PART NUMBER	DESCRIPTION	QTY.
1	203178	CYLINDER ROD	1
2	203180	CYLINDER SLEEVE	1
3	203181	PISTON	1
4	201104	20MM X 2.5 NYLON INSERT LOCK NUT	1
5	203179	CLINDER HEAD	1
6	203146	WIPER SEAL	1
7	203162	ROD SEAL	1
8	203163	ROD SEAL	1
9	203164	WEAR RING	2
10	203165	2-239 91.67X3.53 O-RING	1
11	203166	95X100.5-1.5 BACKING RING	1
12	203167	2-132 44.12×2.62 O-RING	1
13	203168	45×49-1 BACKING RING	2
14	203169	100X95-9.7 GUIDING RING	2
15	203155	100X85X12.5 DOUBLE ACTING PISTON SEAL	1

PILECO, Inc.

office (936)494-4200 • 1-800-409-0018 • fax (936)494-4517
www.Pileco.com • 3321 E Davis St • Conroe, TX 77301

D8 Hydraulic Start Cylinder Ring Kit



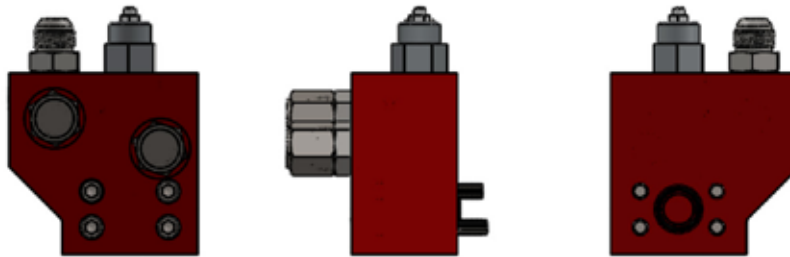
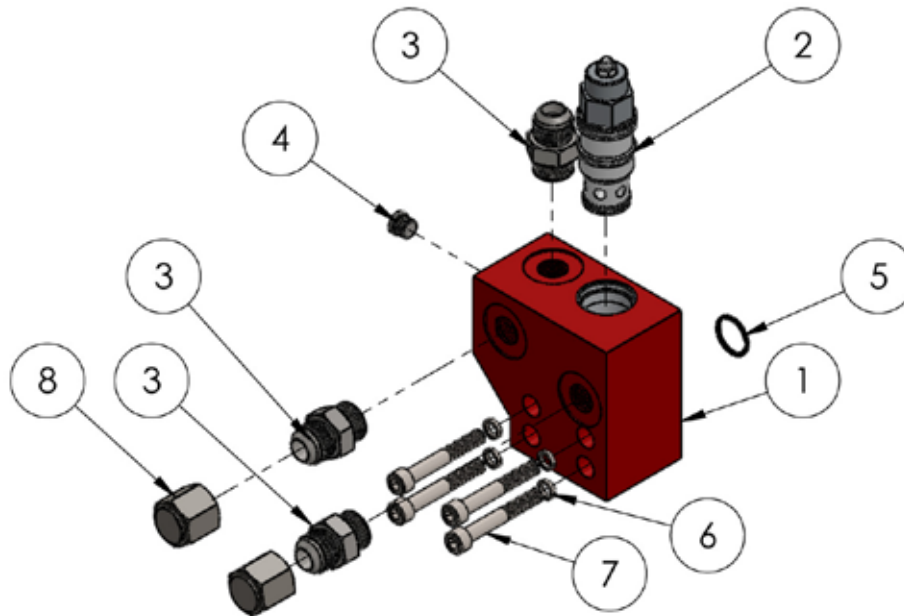
*each part number links to web site part

ITEM NO.	PART NUMBER	DESCRIPTION	QTY.
1	201104	20MM X 2.5 NYLON INSERT LOCK NUT	1
2	203146	WIPER SEAL	1
3	203162	ROD SEAL	1
4	203163	ROD SEAL	1
5	203164	WEAR RING	2
6	203165	2-239 91.67×3.53 O-RING	1
7	203166	95×100.5-1.5 BACKING RING	1
8	203167	2-132 44.12×2.62 O-RING	1
9	203168	45×49-1 BACKING RING	2
10	203169	100×95-9.7 GUIDING RING	2
11	203155	100×85×12.5 DOUBLE ACTING PISTON SEAL	1

PILECO, Inc.

office (936)494-4200 • 1-800-409-0018 • fax (936)494-4517
www.Pileco.com • 3321 E Davis St • Conroe, TX 77301

Counterbalance Valve Assembly



REMOVE ITEM 8 DURING OPERATION
AND REPLACE WHEN NOT IN USE

**each part number links to web site part*

ITEM NO.	PART NUMBER	DESCRIPTION	QTY.
1	203177	LOWER HYDRAULIC BLOCK/COUNTER BALANCE VALVE	1
2	203122	CBGG-LJN COUNTERBALANCE VALVE	1
3	203124	3/4-1 1/16 - 12 JIC Straight Thread Connectors 37° Flare/SAE-ORB 12 F50X	3
4	203125	G1/4 PLUG	1
5	203172	O-RING 2-214 24.99 X 3.53	1
6	207116	10MM HI COLLAR LOCK WASHER	4
7	207115	10MM-1.5 X 70 SOCKET HEAD CAP SCREW	4
8	203138	12 FNTX-S CAP	2

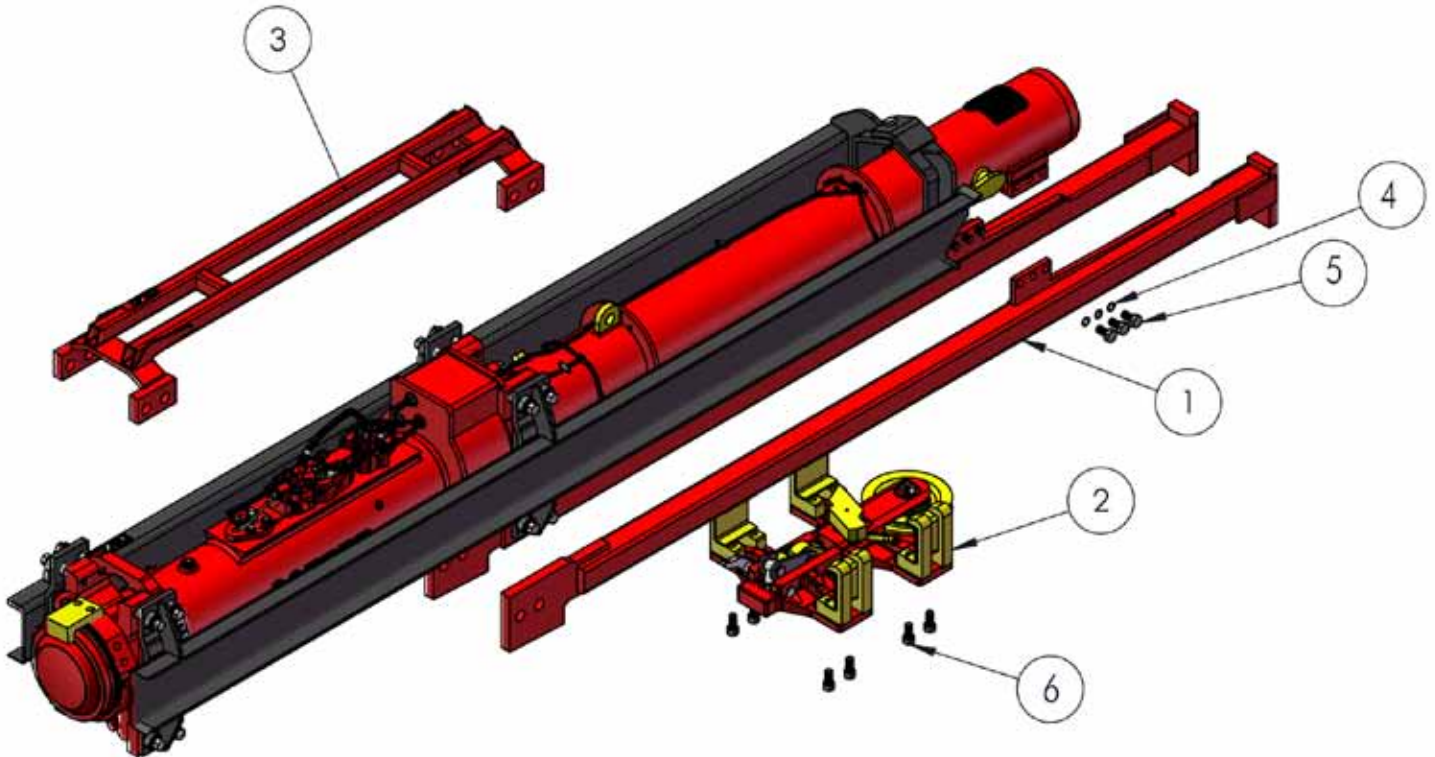
PILECO, Inc.

office (936)494-4200 • 1-800-409-0018 • fax (936)494-4517
www.Pileco.com • 3321 E Davis St • Conroe, TX 77301

Guides



Guide Gibs and Starter Guide Assembly



*each part number links to web site part

ITEM NO.	PART NUMBER	DESCRIPTION	QTY.
1	201212	D8 STARTER GUIDE SET	1
2	201213	GUIDE GIB	4
3	201205	D8 PUMP GUARD	1
4	203131	24MM SCHNORR SAFETY WASHER	6
5	203130	24MM-3.0 X 45 HEX HEAD CAP SCREW	6
6	203133	24-3.0 X 50 SOCKET HEAD CAPSCREW	8

PILECO, Inc.

office (936)494-4200 • 1-800-409-0018 • fax (936)494-4517
 www.Pileco.com • 3321 E Davis St • Conroe, TX 77301

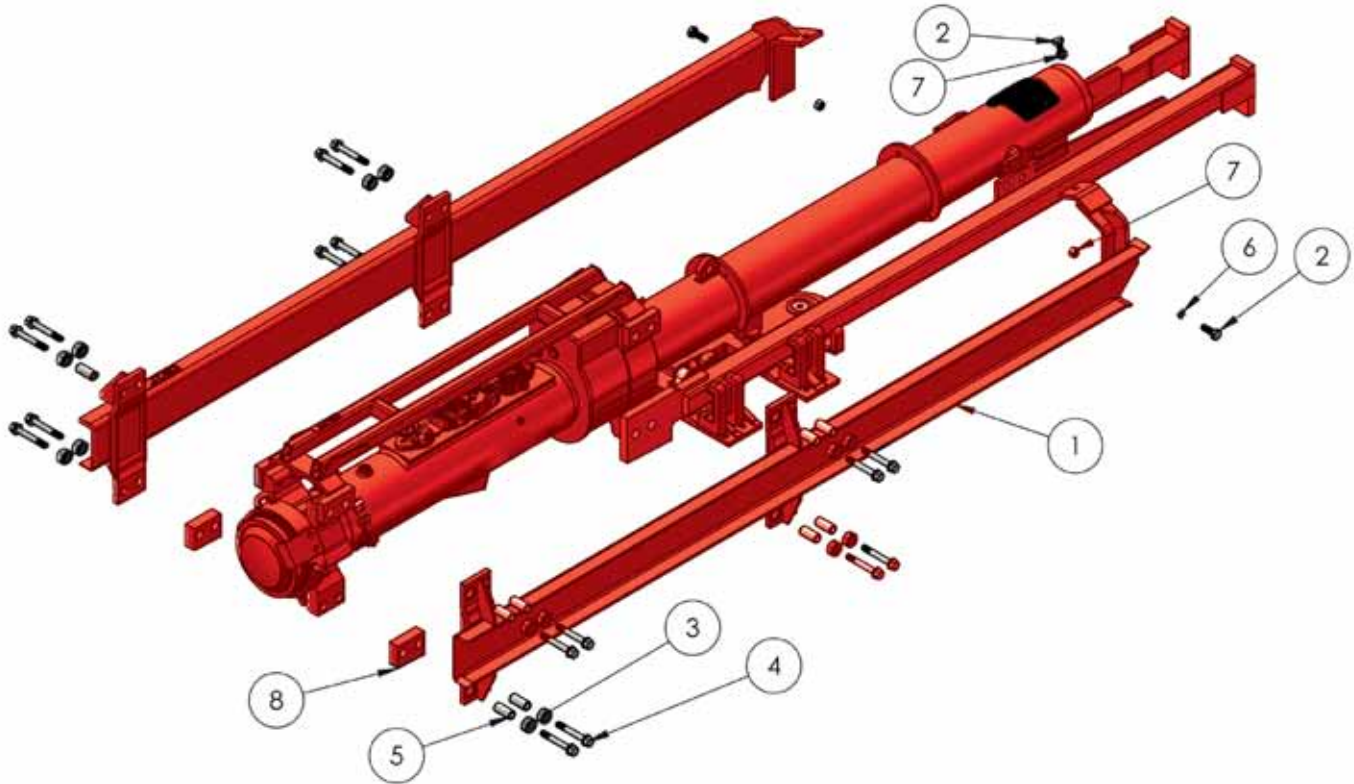
**D8 GUIDING HARDWARE
Assembly Kit**


*each part number links to web site part

ITEM NO.	PART NUMBER	DESCRIPTION	QTY.
1	39991	SPACER	16
2	95195A	DOWEL PIN	16
3	20174	M24 X 165 HEX BOLT	16
4	261417	24-3.0 X 70 HEX HEAD CAPSCREW	3
5	203131	24MM SCHNORR SAFETY WASHER	3
6	201202	24-3.0 HEX NUT	3

PILECO, Inc.

office (936)494-4200 • 1-800-409-0018 • fax (936)494-4517
www.Pileco.com • 3321 E Davis St • Conroe, TX 77301

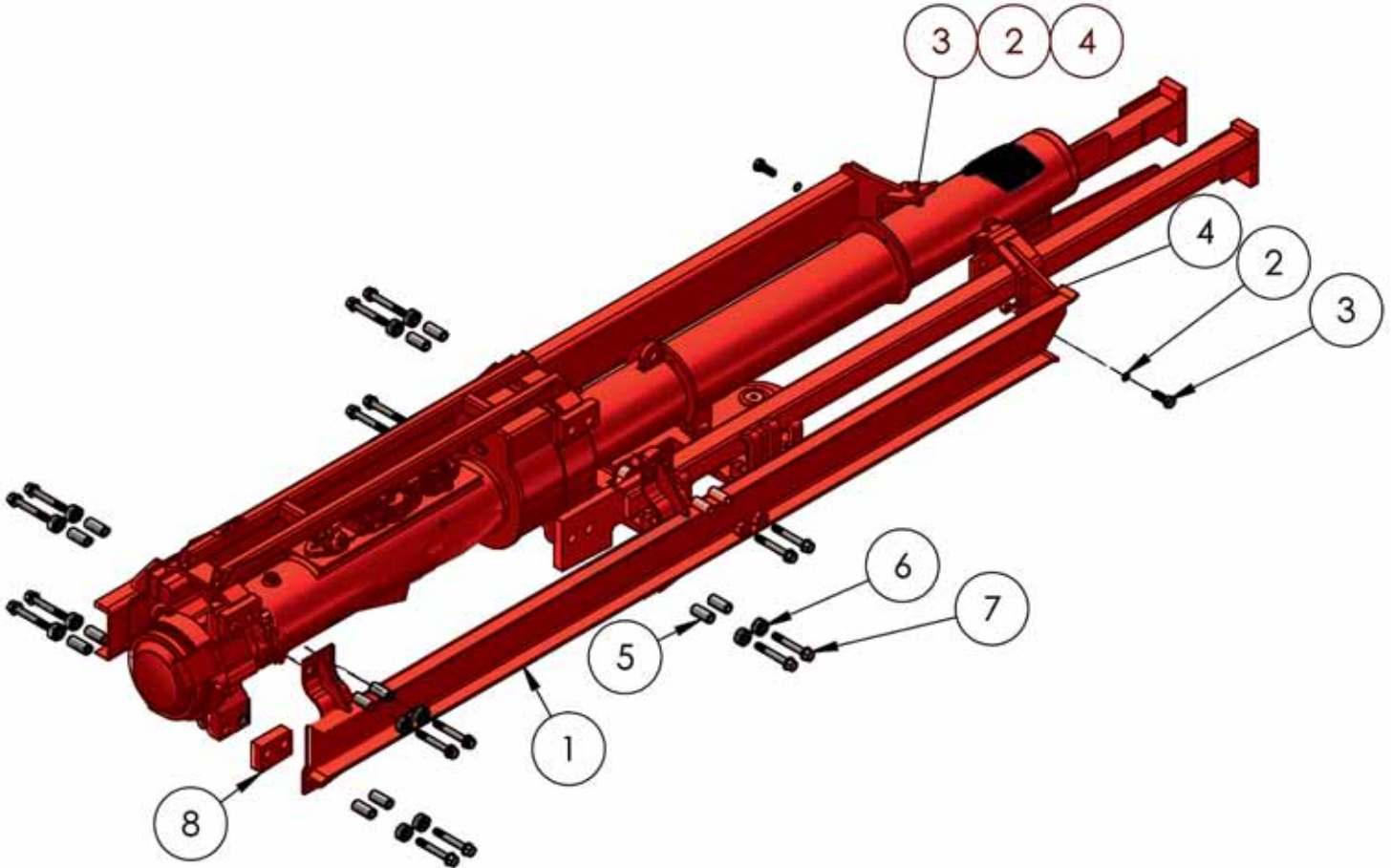
**D8 U-21 X 8 LEAD GUIDING
Assembly**


*each part number links to web site part

ITEM NO.	PART NUMBER	DESCRIPTION	QTY.
1	201206	D8 U-21 GUIDING	1
2	201201	24MM-3.0 X 70 HEX HEAD CAPSCREW	3
3	39991	SPACER	16
4	20174	M24 X 165 HEX BOLT	16
5	95195A	DOWEL PIN	16
6	203131	24MM SCHNORR SAFETY WASHER	3
7	201202	24-3.0 HEX NUT	3
8	203206	SPACER BLOCK	2

PILECO, Inc.

office (936)494-4200 • 1-800-409-0018 • fax (936)494-4517
www.Pileco.com • 3321 E Davis St • Conroe, TX 77301

**D8 U-26 X 8 LEAD GUIDING
Assembly**


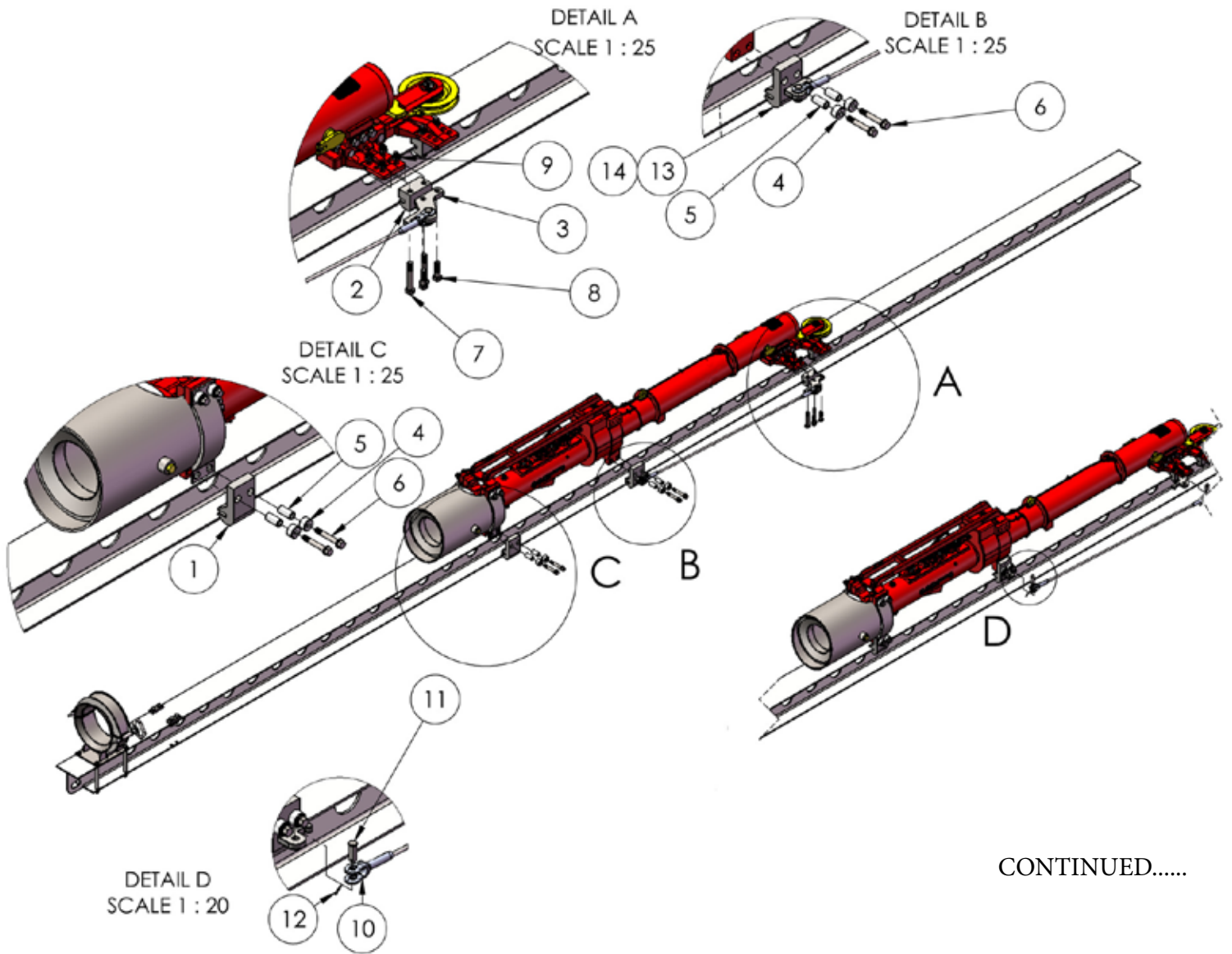
*each part number links to web site part

ITEM NO.	PART NUMBER	DESCRIPTION	QTY.
1	201207	U-26 LEAD GUIDING FOR D8	1
2	203131	24MM SCHNORR SAFETY WASHER	3
3	201201	24MM-3.0 X 70 HEX HEAD CAPSCREW	3
4	201202	24-3.0 HEX NUT	3
5	95195A	DOWEL PIN	16
6	39991	SPACER	16
7	20174	M24 X 165 HEX BOLT	16
8	203206	SPACER BLOCK	2

PILECO, Inc.

office (936)494-4200 • 1-800-409-0018 • fax (936)494-4517
www.Pileco.com • 3321 E Davis St • Conroe, TX 77301

**H BEAM GUIDING FOR 12 X 53
Assembly**



CONTINUED.....

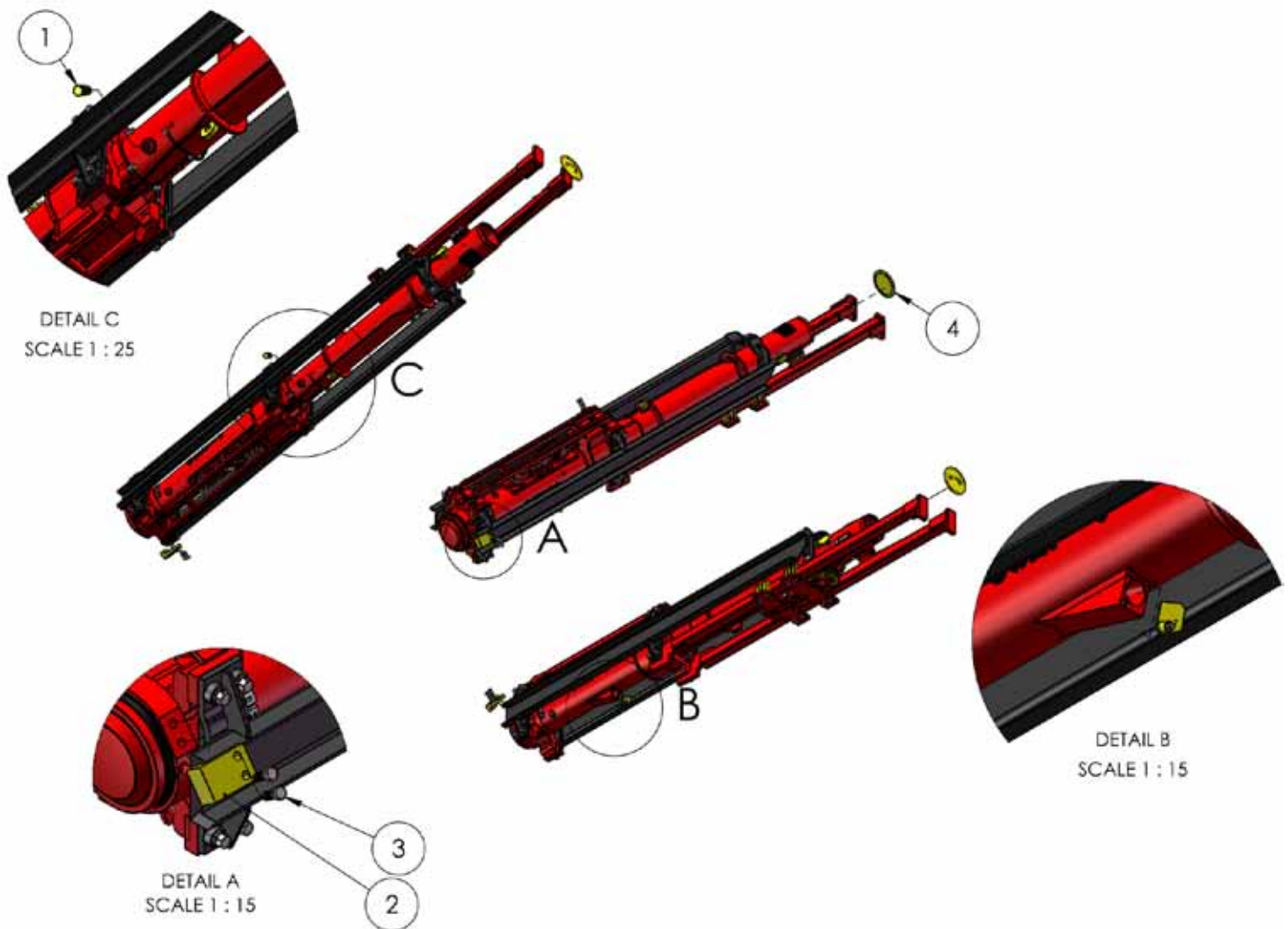
H BEAM GUIDING FOR 12 X 53 Assembly

*each part number links to web site part

ITEM NO.	PART NUMBER	DESCRIPTION	QTY.
1	8000598	GUIDE CLIP	2
2	8000597	TRIP GUIDE SHOE	4
3	8000599	TRIP BRACKET	2
4	39991	SPACER CUP	12
5	95195-A	DOWEL PIN	12
6	20174	M24 X 165 HEX BOLT	12
7	8000602	24MM-3.0 X 160 HEX HEAD CAP SCREW 8.8	8
8	8000603	24MM-3.0 X 80 HEX HEAD CAP SCREW	4
9	203103	24-3.00 NYLON INSERT	12
10	8000945	7FT LIFT CABLE	2
11	8000943	CLEVIS PIN	4
12	8000944	1/4 X 2 1/2 COTTER PIN	1
13	8001248	UPPER GUIDE CLIP LEFT	1
14	8001249	UPPER GUIDE CLIP RIGHT	1

Transportation Protection

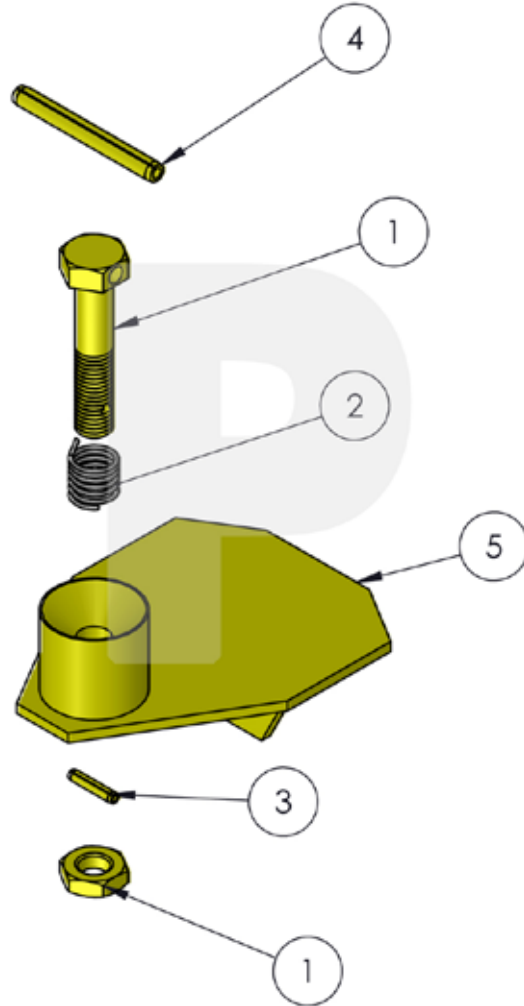
Transportation Protection Complete



ITEM NO.	PART NUMBER	DESCRIPTION	QTY.
1	16890	LOCKING SCREW M42X3	1
2	64869	IMPACT BLOCK SECURING CLAMP	1
3	22702	24MM-3 X 60 HEX HEAD CAPSCREW	2
4	64875	COVER	1

PILECO, Inc.

office (936)494-4200 • 1-800-409-0018 • fax (936)494-4517
www.Pileco.com • 3321 E Davis St • Conroe, TX 77301

**Exhaust Cover
Complete**


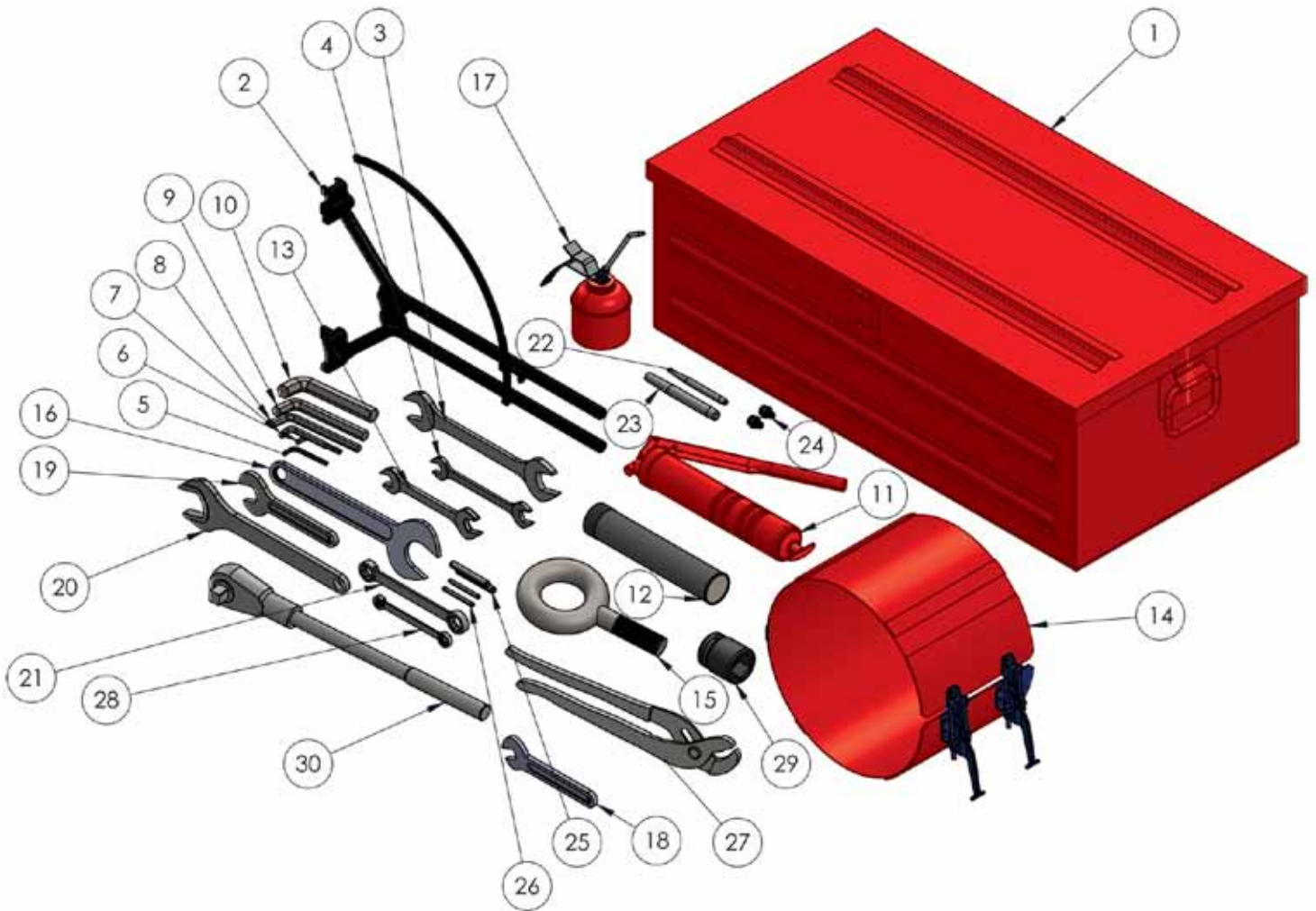
*each part number links to web site part

ITEM NO.	PART NUMBER	DESCRIPTION	QTY.
1	20076	SCREW COMPLETE	1
2	20082	PRESSURE SPRING	1
3	91144	DOWEL PIN 3 X 20	1
4	90661	5MM X 50 DOWEL PIN	1
5	64500	COVER	1

PILECO, Inc.

office (936)494-4200 • 1-800-409-0018 • fax (936)494-4517
www.Pileco.com • 3321 E Davis St • Conroe, TX 77301

**Tool Box
Complete**



PILECO, Inc.

office (936)494-4200 • 1-800-409-0018 • fax (936)494-4517
www.Pileco.com • 3321 E Davis St • Conroe, TX 77301

**Tool Box
Complete**

*each part number links to web site part

ITEM NO.	PART NUMBER	DESCRIPTION	QTY.
1	119036-1	TOOL BOX PART	1
2	626	PISTON RING FITTING PLIERS COMPLETE	1
3	90655	30 X 32 DOUBLE ENDED OPEN WRENCH	1
4	92015	17 X 19 DOUBLE ENDED OPEN WRENCH	1
5	90055	5MM HEX KEY	1
6	90862	6MM HEX KEY	1
7	90657	8MM HEX KEY	1
8	90469	10MM HEX KEY	1
9	90079	14MM HEX KEY	1
10	90194	19MM HEX KEY	1
11	90795	GREASE GUN, 14 OZ	1
12	93551	MOLYLUBE GREASE	1
13	90443	19 X 22 OPEN END WRENCH	1
14	102140	PISTON RING BAND	1
15	91336	M30 RING SCREW	1
16	90184	46MM WRENCH	1
17	93600	OIL CAN	1
18	95071	17MM WRENCH SINGLE OPEN END	1
19	90465	27MM SINGLE ENDED OPEN WRENCH	1
20	205015	41MM SINGLE ENDED OPEN WRENCH	1
21	95834	22 X 24 DOUBLE ENDED RING WRENCH	1
22	90354	PUNCH 4/8 DIAMETER	1
23	93349	PUNCH 12/16 DIAMETER	1
24	90791	GREASE NIPPLE M10 X 1	2
25	91321	10MM X 75 ROLL PIN	2
26	90160	6MM X 60 ROLL PIN	2
27	90785	PLIERS A19	1
28	261513	13 X 15 DOUBLE ENDED RING WRENCH	1
29	94461	IMPACT SOCKET 36MM	1
30	90196	RACHET	1

PILECO, Inc.

office (936)494-4200 • 1-800-409-0018 • fax (936)494-4517
www.Pileco.com • 3321 E Davis St • Conroe, TX 77301